



GAGGIA

MILANO



ENGLISH

FRANÇAIS

ESPAÑOL

CLASSIC PRO

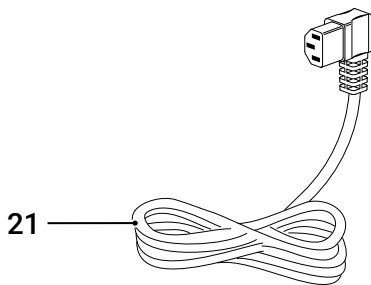
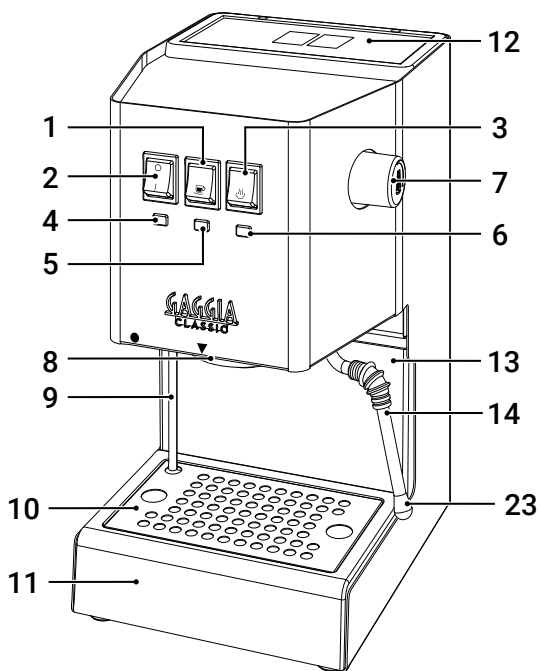
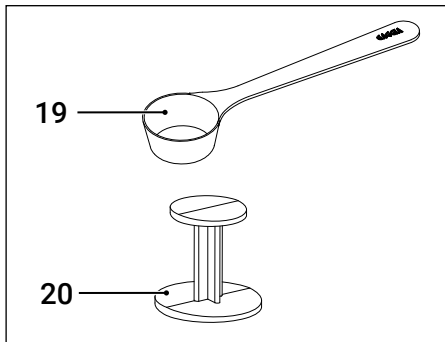
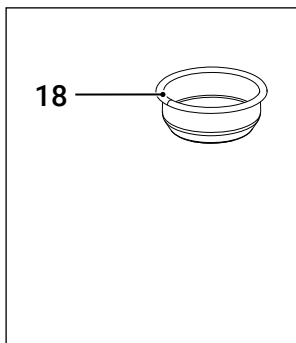
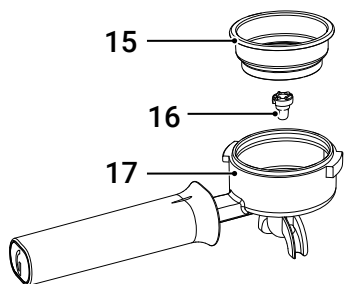
RI9380 (SIN035R)

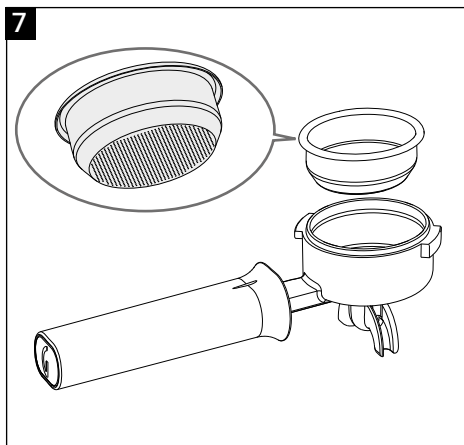
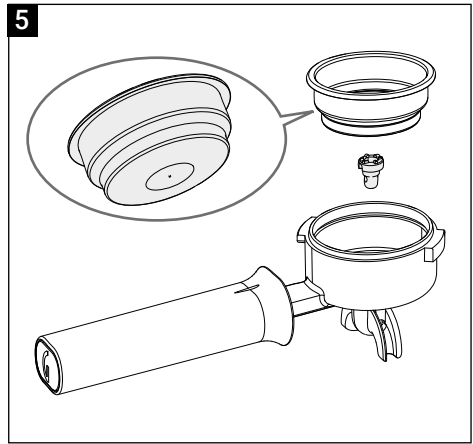
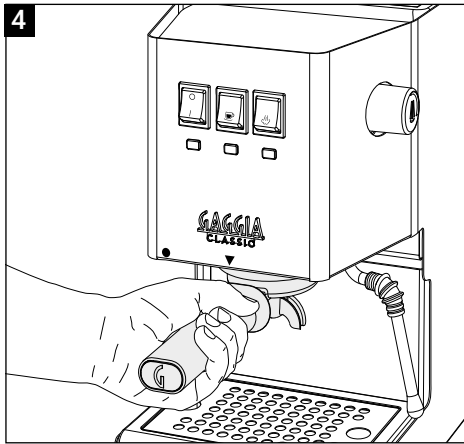
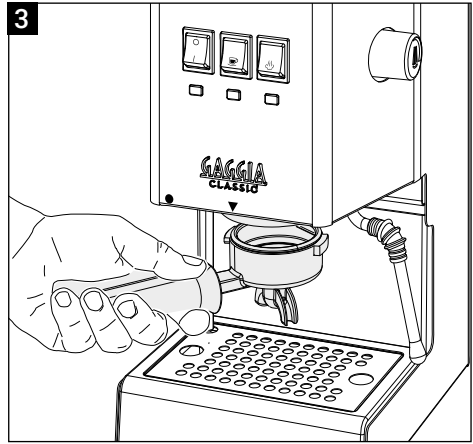
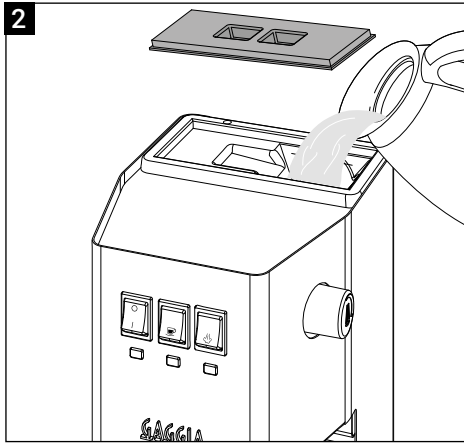
Operating instructions
Mode d'emploi
Instrucciones para el uso

FOR HOUSEHOLD USE ONLY
USAGE DOMESTIQUE SEULEMENT



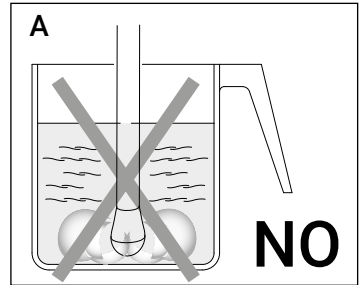
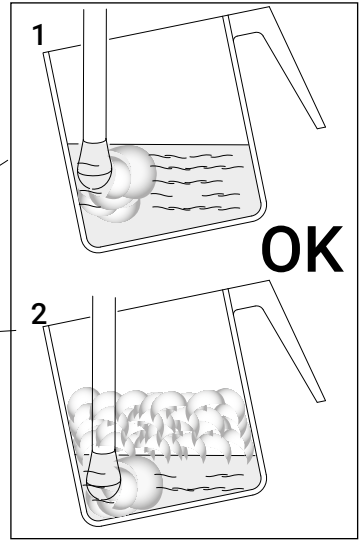
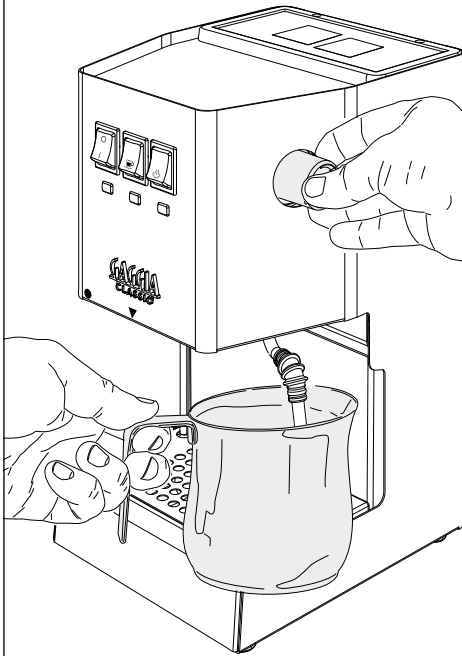
1



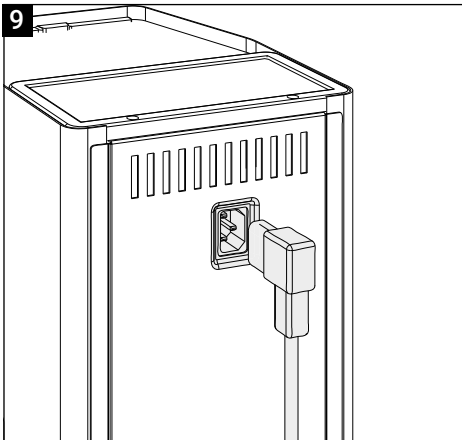




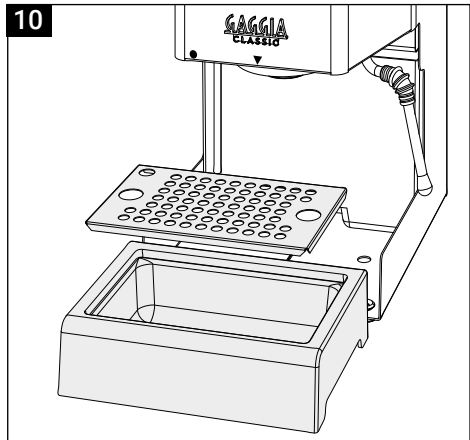
8

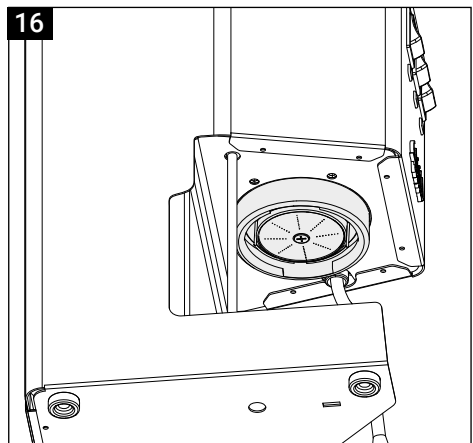
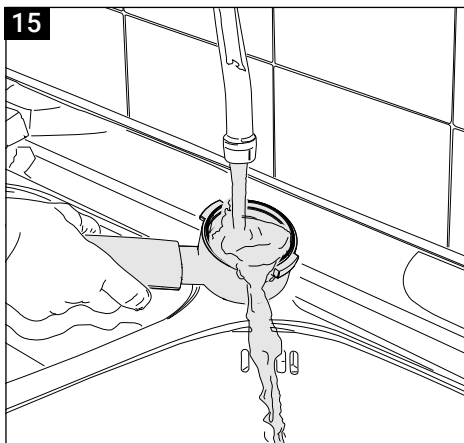
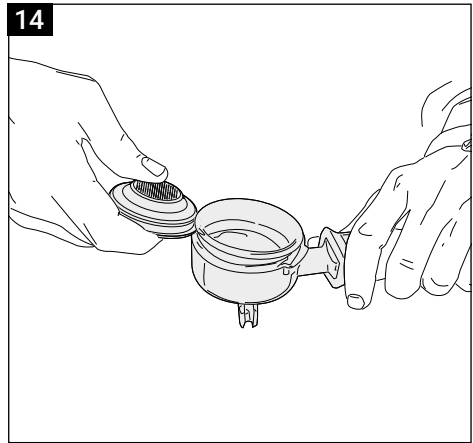
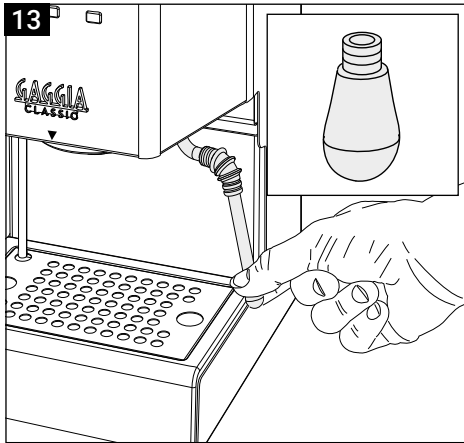
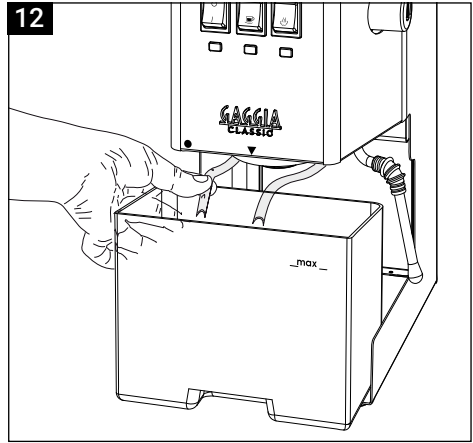
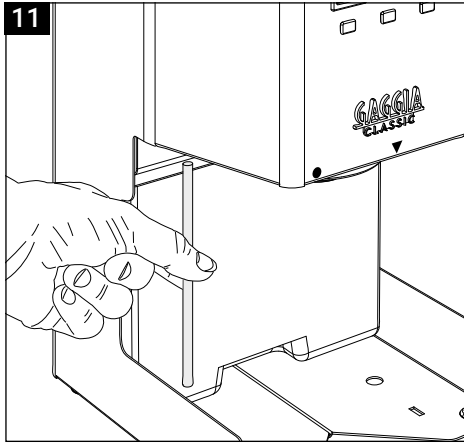


9



10





IMPORTANT SAFEGUARDS

When using electrical appliances, basic safety precautions should always be followed, including the following:

1. Read all instructions.
2. Do not touch hot surfaces. Use handles or knobs.
3. To protect against fire, electric shock and injury to persons do not immerse cord, plugs, or appliance in water or other liquid.
4. Close supervision is necessary when the appliance is used by or near children.
5. Unplug from outlet when not in use and before cleaning. Allow to cool before putting on or taking off parts, and before cleaning the appliance.
6. Do not operate any appliance with a damaged cord or plug or after the appliance malfunctions, or has been damaged in any manner. Return appliance to the nearest authorized service facility for examination, repair or adjustment.
7. The use of accessory attachments not recommended by the appliance manufacturer may result in fire, electric shock or injury to persons.
8. Do not use outdoors.
9. Do not let cord hang over edge of table or counter, or touch hot surfaces.
10. Do not place on or near a hot gas or electric burner, or in a heated oven.
11. Always attach plug to appliance first, then plug cord into wall outlet. To disconnect, turn any control to "off", then remove plug from wall outlet.
12. Do not use appliance for other than intended use.
13. Save these instructions.

SAVE THESE INSTRUCTIONS



CAUTION

This appliance is for household use only. Any servicing, other than cleaning and user maintenance, should be performed by an authorized service center. Do not immerse machine in water. To reduce the risk of fire or electric shock, do not disassemble the machine. There are no parts inside the machine serviceable by the user. Repair should be done by authorized service personnel only.

1. Check voltage to be sure that the voltage indicated on the nameplate corresponds with your voltage.
2. Never use warm or hot water to fill the water tank. Use cold water only.
3. Keep your hands and the cord away from hot parts of the appliance during operation.
4. Never clean with scrubbing powders or harsh cleaners. Simply use a soft cloth dampened with water.
5. For optimal taste of your coffee, use purified or bottled water. Periodic descaling is still recommended every 2-3 months.
6. Do not use caramelized or flavored coffee beans.



INSTRUCTIONS FOR THE POWER SUPPLY CORD

- A.** A short power-supply cord (or detachable power-supply cord) is to be provided to reduce risks resulting from becoming entangled in or tripping over a longer cord.
- B.** Longer detachable power-supply cords or extension cords are available and may be used if care is exercised in their use.
- C.** If a long detachable power-supply cord or extension cord is used,
 - 1.** The marked electrical rating of the detachable power-supply cord or extension cord should be at least as great as the electrical rating of the appliance
 - 2.** If the appliance is of the grounded type, the extension cord should be a grounding-type 3-wire cord, and
 - 3.** The longer cord should be arranged so that it will not drape over the counter top or table top where it can be pulled on by children or tripped over.

Congratulations on your choice!

Thanks to the new Gaggia Classic Pro machine, you will become a real home barista and rediscover the traditional gestures of espresso professionals during each coffee break. When using Classic Pro Coffee machine, it is important to pay attention to every detail, just like when using a professional bar machine: the machine must be very hot and the filter holder must always be installed to maintain a homogeneous temperature in the brew unit. Furthermore, the coffee must be ground finely but not too much, the right amount of ground coffee must be placed in the filter and it must be pressed with just the right intensity, to prevent the coffee from coming out too quickly, but not too much as this would make brewing very difficult.

The new Classic Pro features a filter holder unit and a steam wand just like professional machines.

Contents

IMPORTANT SAFETY INFORMATION	10
Warning	10
Caution	11
Machines with classic milk frother	13
Machines with automatic milk frother	14
Electromagnetic fields (EMF)	15
Recycling	15
Warranty and support	15
DESCRIPTION	16
THINGS TO KNOW	16
INTRODUCTION	17
FILTERS SUPPLIED	17
"Crema perfetta" filter for 1 or 2 cups (Fig.5)	17
Traditional filter for 2 cups (Fig.7)	17
FIRST INSTALLATION	17
Loading the circuit	17
When using for the first time or after a period of inactivity of more than 2 weeks	17
BREWING AN ESPRESSO USING GROUND COFFEE	18
Continue preparing the espresso	18
PREPARING A CAPPUCCINO	19
DISPENSING HOT WATER	20
HOW TO LOWER THE BOILER TEMPERATURE	20
CLEANING AND MAINTENANCE	21
Cleaning the steam wand	21
Cleaning the filter holder and the filters	21
Cleaning the grill and drip tray	21
Cleaning the water tank	21
Cleaning the screen	21
Cleaning after a long period of inactivity	21
DESCALING	21
IN CASE OF MALFUNCTION	23

Important safety information

This machine is equipped with safety features. Nevertheless, read and follow the safety instructions carefully and only use the machine as described in these instructions, to avoid accidental injury or damage due to improper use of the machine. Keep this safety booklet for future reference.

Warning

General

- Check if the voltage indicated on the machine corresponds to the local mains voltage before you connect the appliance.
- Connect the machine to an earthed wall socket.
- Do not let the power cord hang over the edge of a table or worktop and do not let it touch hot surfaces.
- To avoid the danger of electric shock, never immerse the machine, mains plug or power cord in water or any other liquid.
- Do not pour liquids on the power cord connector.
- To avoid the danger of burns, keep body parts away from hot water jets produced by the machine.
- Do not touch hot surfaces. Use handles and knobs.
- Switch off the machine with the main switch located on the back (if present) and remove the mains plug from the wall socket:
 - If a malfunction occurs.
 - If you are not going to use the appliance for a long time.
 - Before you clean the machine.
- Pull at the plug, not at the power cord.
- Do not touch the mains plug with wet hands.
- Do not use the machine if the mains plug, the power cord or the machine itself is damaged.



- Do not make any modifications to the machine or its power cord.
- Only have repairs carried out by a service center authorized by Gaggia to avoid a hazard.
- The machine should not be used by children younger than 8 years old.
- This machine can be used by children aged from 8 years and above and by persons with reduced physical, sensory or mental capabilities or lack of experience and knowledge if they have been given supervision or instruction concerning use of the machine in a safe way and if they understand the hazards involved.
- Cleaning and user maintenance shall not be made by children unless they are older than 8 and supervised.
- Keep the machine and its cord out of the reach of children aged less than 8 years.
- Children should be supervised to ensure that they do not play with the machine.
- Be carefull when you dispense hot water. Dispensing may be preceded by small jets of hot water. Wait until the end of the dispensing cycle before you remove the hot water dispensing spout.

Caution _____

General

- This machine is intended for normal household use only. It is not intended for use in environments such as staff kitchens of shops, offices, farms or other work environments.
- Always put the machine on a flat and stable surface. Keep it in upright position, also during transport.





12 ENGLISH

- Do not place the machine on a hotplate or directly next to a hot oven, heater or similar source of heat.
- Only put ground coffee in the pressurized filter holder. Putting coffee beans, instant coffee, unroasted coffee beans or any other substance in the pressurized filter holder may cause damage to the machine. In this case repair is not covered by warranty.
- Let the machine cool down before you insert or remove any parts. The heating surfaces may retain residual heat after use.
- Never touch the water drain hose (if any) when using the machine, since it could be hot. Let it cool down first.
- Never fill the water tank with warm, hot or sparkling water, as this may cause damage to the water tank and the machine.
- Never use souring pads, abrasive cleaning agents or aggressive liquids such as petrol or acetone to clean the machine. Simply use a soft cloth dampened with water.
- Descale your machine regularly. Not doing this will make your appliance stop working properly. In this case repair is not covered by your warranty.
- Do not keep the machine at temperatures below 0°C/32°F. Water left in the heating system may freeze and cause damage.
- Do not leave water in the water tank when you are not going to use the machine for a long period of time. The water can become contaminated. Use fresh water every time you use the machine.
- Never use any accessories or parts from other manufacturers or that Gaggia does not specifically





recommend. If you use such accessories or parts, your warranty becomes invalid.

- Regular cleaning and maintenance prolongs the lifetime of your machine and ensures optimum quality and taste of your coffee.
- The machine is exposed continuously to moisture, coffee and scale. Therefore it is very important to regularly clean and maintain the machine as described in the user manual and shown on the website. If you do not perform these cleaning and maintenance procedures, your machine eventually may stop working. In this case repair is not covered by warranty.
- Do not clean the pressurized filter holder in the dishwasher and do not use washing-up liquid or a cleaning agent to clean it. This may cause the pressurized filter holder to malfunction and may have a negative effect on the coffee taste.
- Do not dry the brew group with a cloth to prevent fibers from collecting inside the brew group.
- Never drink the solution dispensed during the descaling process.
- Do not remove the pressurized filter holder while brewing coffee. Hot water drips may spill out during the warm-up phase of the brew group.
- The machine shall not be placed in a cabinet when in use.

Machines with classic milk frother _____

Warning

- To avoid the danger of burns, be aware that dispensing may be preceded by small jets of hot water.



- Never touch the classic milk frother with bare hands, as it may become very hot. Use the appropriate protective handle only.

Caution

- After frothing milk, quickly clean the classic milk frother by dispensing a small quantity of hot water into a container. Then remove the external part of the classic milk frother and wash it with lukewarm water.

Machines with automatic milk frother

Warning

- To avoid the danger of burns, be aware that dispensing steam or hot water may be preceded by small jets of hot water. Never touch the hot water/steam dispensing spout with bare hands, as it may become very hot. Use the appropriate protective handle only.
- Never drink the solution dispensed during the monthly cleaning procedure of the automatic milk frother.

Caution

- For hygienic reasons, make sure that the outer surface of the hot water/steam dispensing spout is clean.
- After frothing milk, quickly clean the automatic milk frother by dispensing a small quantity of hot water. Follow the cleaning instructions in the user manual.
- Be careful, the hot water/steam dispensing spout could be hot if the machine has recently been used.
- Do not push the rubber fitting too far on the hot



water/steam dispensing spout when you insert it. In this case, the automatic milk frother would not work correctly as it would not be able to suck up milk.

Electromagnetic fields (EMF) _____

This machine complies with all applicable standards and regulations regarding exposure to electromagnetic fields.

Recycling _____



- This symbol means that this product shall not be disposed of with normal household waste (2012/19/EU).
- Follow your country's rules for the separate collection of electrical and electronic products. Correct disposal helps prevent negative consequences for the environment and human health.

Warranty and support _____

For service or support, contact your local dealer or an authorized service center.

Contact details are included in the warranty booklet supplied separately or visit www.gaggia.com or www.gaggia.it.



Description

OVERVIEW OF THE MACHINE (FIG.1)

- 1 Brew button
- 2 On/off button
- 3 Steam button
- 4 Power indicator light
- 5 Coffee temperature light
- 6 Steam temperature light
- 7 Steam / hot water knob
- 8 Coffee brew unit
- 9 Drain pipe
- 10 Grill
- 11 Drip tray
- 12 Water tank lid
- 13 Water tank (removable)
- 14 Hot water/steam wand with rubber tip
- 15 "Crema perfetta" filter for 1 and 2 cups.
To be used only with a frothing jet device
(Fig.1-16)
- 16 Frothing jet device
- 17 Filter holder
- 18 Traditional filter for 2 cups
- 19 Measuring scoop
- 20 Tamper
- 21 Power cord and plug
- 22 Steam nozzle

Things to know

1. The taste of espresso depends on the amount and type of coffee used.
2. The particular taste of a coffee bean depends on several factors, but its taste and aroma are the result of the roasting process. Coffee beans roasted for a longer time and at higher temperatures are darker in colour. Darker coffee beans release more flavour than lighter ones. You will find different coffee qualities on the market. Each type of roasting is characterised by a mixture of beans roasted at a certain temperature and with a certain type of aroma.

There are decaffeinated coffees containing only 2% caffeine. Try different types of coffee with your espresso machine. You will probably discover a better aroma than the one previously used.

3. Pump espresso machines require a finely ground blend. Be sure to purchase the desired blend with a grinding degree that can be used with espresso machines. It is preferable to use a grinder mill rather than a blade mill because the latter releases too much coffee powder and produces an irregularly ground blend.
4. It would be ideal to grind the coffee just before use. Do not forget that it must be ground for the pump espresso machine.
5. We recommend storing the coffee in an airtight container, in a cool, dry place, away from heat sources.
6. Real espresso can be recognised by its dark colour, rich taste and typical "natural cream".
7. Cappuccino is a special combination of espresso and hot frothed milk. It can be served with a sprinkling of cinnamon, nutmeg or cocoa.
8. Serve espresso coffee immediately after preparing it.
9. Serve espresso in coffee cups and cappuccino in breakfast cups.



Introduction

Before using your machine for the first time, please read the safety manual very carefully and store it for future reference.

Filters supplied

“Crema perfetta” filter for 1 or 2 cups (Fig.5)

This filter is already installed on the filter holder and allows you to obtain an espresso with cream even when using the machine for the first time.

Note. This filter must be used only together with the frothing jet device. (Fig.1-16).

Traditional filter for 2 cups (Fig.7)

This filter is like those used in professional bar machines and require manual skills and experience.

Note. This filter must not be used with the frothing jet device. (Fig.1-16).

Our advice is to start with the “crema perfetta” filter and then, once you have acquired manual skills and experience, move on to traditional one to appreciate real barista use.

First installation

1. Remove the water tank cover (Fig.2) and fill it with cold water up to the MAX level of the tank (Fig.1-13).
2. Insert the plug into the outlet at the back of the machine (Fig.9) and the other end of the power cord into a wall socket with suitable voltage.
Press the on / off button (Fig.1-2), the power indicator light turns on (Fig.1-4).

Loading the circuit

Warning! Do not activate the brew button without loading the circuit first.

1. Place an empty cup under the brew unit (Fig.1-8) without inserting the filter holder and press the brew button (Fig.1-1).

You will hear the sound of the pump being activated and after a few seconds the water will start to come out of the brew unit (Fig.1-8).

2. After filling the cup (about 150cc), press the brew button again (Fig.1-1).

Note. The pump self-priming might not work temporarily because of an “air bubble”.

If water does not come out of the brew unit (Fig.1-8), continue as follows:

1. Place a cup under the steam wand (Fig.1-14).
2. Turn the knob (Fig.1-7) counter-clockwise to open the steam/hot water dispensing knob.
3. Press the brew button (Fig.1-1) to activate the pump.
4. After a few seconds, water will start coming out of the steam wand.
Dispense about a cup of water.
5. Close the steam/hot water dispensing knob (Fig.1-7).
6. Press the brew button again (Fig.1-1).

Note. After priming the circuit and when hot water is dispensed from the steam wand, there might be some water left inside. To drain it, we recommend dispensing some steam for a few seconds.

When using for the first time or after a period of inactivity of more than 2 weeks

Note. The water dispensed during this process must be thrown away and is not suitable for food use. If the container fills up during the cycle, stop dispensing water and empty the container before resuming the operation.





18 ENGLISH

1. Rinse the water tank (Fig.2) (see section "Cleaning the Water Tank") and fill it with fresh drinking water.
2. Place a container under the steam wand (Fig.1-14).
3. Open the steam/hot water knob (Fig.1-7) slowly by turning it counter-clockwise.
4. Press the brew button (Fig.1-1) and the steam button (Fig.1-3).
5. Dispense the whole water tank content through the steam wand.
6. To stop dispensing, press the brew button (Fig.1-1) and the steam button (Fig.1-3) again.
7. Close the knob (Fig.1-7) by turning it clockwise.
8. Fill the water tank with fresh drinking water (Fig.2).
9. Insert the filter holder into the brew unit from the bottom, aligning the reference mark on the filter holder handle with the (●) icon on the front panel of the machine (Fig.3). Turn the filter holder from left to right until it locks into place on the (▼) icon (Fig.4).
10. Place a suitable container under the filter holder.
11. Press the brew button (Fig.1-1) and dispense all the water in the tank.
12. Once the water tank is empty, stop dispensing by pressing the brew button again (Fig.1-1) and empty out the container.
13. Remove the filter holder from the unit by turning it from right to left and rinse it with fresh drinking water.
14. The machine is now ready for use.

Brewing an espresso using ground coffee —

The filter holder supplied features the "crema perfetta" filter to prepare one or two coffees.

Warning! If the "crema perfetta" filter is used without the frothing jet device, the machine will squirt out the coffee, which may result in burns.

Note. If you prefer to use the traditional filter (Fig.7), remove both the "crema perfetta" filter (Fig.5) and the frothing jet device (Fig.1-16).

To brew the first coffee, it is necessary to preheat the filter holder first (Fig.1-17):

1. Insert the filter holder (Fig.1-17) into the brew unit (Fig.1-8) from the bottom, aligning the reference mark on the filter holder handle with the (●) icon on the front panel of the machine (Fig.3). Turn the filter holder from left to right until it locks into place on the (▼) icon (Fig.4).
2. Place a large cup under the filter holder (Fig.1-17) and press the brew button (Fig.1-1)
3. After the cup of water has been filled (about 150cc), press the brew button again and wait a few minutes for the machine to reach the correct temperature with the filter holder inserted.

Note. Any residual water inside the filter holder must be removed before filling the filter with ground coffee.

Continue preparing the espresso

4. Remove the filter holder (Fig.1-17) and fill it with ground coffee using the measuring scoop provided with the machine (Fig.1-20).
Add one measuring scoop of coffee for each cup.

Note. It is recommended to ask roasting companies for finely ground coffee suitable for use in coffee machines or to purchase it from large retailers.

5. Press the coffee using the dedicated tamper (Fig.1-21). The coffee must be pressed evenly to obtain a well levelled and flat surface.
6. Remove any coffee residues from the edge of the filter holder (Fig.1-17).
7. Insert the filter holder (Fig.1-17) into the brew unit (Fig.1-8) from the bottom, aligning the reference mark on the filter holder handle with the (●) icon on the front panel of the machine (Fig.3). Turn the filter holder from left to right until it locks into place on the (▼) icon (Fig.4).
8. Wait until the indicator light turns on (Fig.1-5).
9. Press the brew button (Fig.1-1).





10. When the cups are 3/4 full, press the brew button again (Fig.1-1).

The coffee will be more or less intense depending on the amount of water used and, if prepared following the correct procedure, it will have the typical hazelnut/brown coloured "natural cream".

At the end of the dispensing, the excess water will be eliminated from the drain pipe (fig.11).

To brew another espresso, slowly and carefully remove the filter holder, moving it to the left. Be careful not to burn yourself with the water left on the coffee grounds. Once the filter holder has been removed, some water will still drip. This is due to the water pressure in the system. Remove the grounds from the filter and any residues from the screen (Fig.16).

Note. Keep the clean filter holder installed on the machine without tightening it too much, so that the entire brew unit is always at the correct temperature.

Preparing a cappuccino

To prepare a traditional cappuccino, we recommend:

- using fresh whole milk at a cold temperature, preferably high quality. The density of the frothed milk will depend on the milk fat content.
- using stainless steel, circular, rounded milk jugs, narrower at the top, with a spout, necessary to make cappuccino decorations.

The steam wand (Fig.1-14) will dispense all the steam required to froth the milk without bringing it to a boil.

With two or three attempts and a little effort you will become experts in preparing cappuccino.

Before starting, it is important to slightly move the steam wand outwards in order to insert the jug directly under it and facilitate the movements required to froth the milk correctly.

At this point continue as follows:

1. Prepare the espresso in a large cappuccino cup as indicated in the paragraph "Brewing an espresso using ground coffee".
2. Press the steam button (Fig.1-3).

3. After 15-20 seconds and when the steam temperature indicator light (Fig.1-6) turns on.
4. Turn the steam/hot water knob slightly counter-clockwise to eliminate any condensation from the wand then close the knob again.
5. Place the jug, half-filled with cold milk, under the steam wand.
6. Place the steam nozzle just below the surface of the milk; if it has been inserted too deep, the milk will not be frothed; if it has not been inserted deep enough, big bubbles will be produced and then disappear immediately.
It is important to keep the nozzle not at the centre but close to the edge of the jug, with an appropriate angle to produce a stronger vortex (Fig.8-1).
7. Turn the steam dispensing knob (Fig.1-7) counter-clockwise to let the steam come out. During this phase there is maximum air absorption and the milk must be frothed almost cold.

Note. The steam pressure increases as the knob is turned.

Note. The dispensing operation should last no longer than 60 seconds.

Dispensing steam continuously for more than 60 seconds can empty the boiler out completely. In this case, continue as indicated in the section "Loading the circuit".

Note. To froth the milk correctly, the steam nozzle (Fig.1-23) must always be in contact with the milk and not with the froth (Fig.8-2). Therefore, as the layer of froth increases, the jug must be slightly raised trying to keep the nozzle in contact with the milk, without touching the bottom of the jug (Fig.8-A).

8. Once the desired frothing has been achieved, the steam nozzle must be pushed further to heat the milk well.

Note. It is advisable to always keep a hand on the rounded part of the jug to feel the temperature increase of the unfrothed milk.

9. Once the desired result has been achieved, close the steam knob, by turning it clockwise, to stop dispensing steam and remove the jug.



Note. After frothing the milk, to make the froth more compact, it is advisable to lightly tap the jug on a flat surface and leave it to rest for at least 30 seconds. The milk will become more homogeneous.

Warning! It is important to froth only the milk you need. The remaining hot milk in the jug should not be reused; it would damage the quality of the froth and above all the taste of the cappuccino. It should therefore be used in other ways.

10. Press the steam button (Fig.1-3).

Pour the frothed milk into the coffee. Decorate as desired with cinnamon, cocoa, nutmeg.

To prepare another coffee immediately, lower the boiler temperature by dispensing hot water from the coffee brew unit (Fig.1-8). Follow the instructions in the paragraph "How to lower the temperature"; otherwise, the coffee may taste burnt.

Warning! The steam wand may be very hot during and after use. To avoid burns, move it only by placing your fingers on the rubber tip fitted on the steam wand.

Warning! If coffee is brewed without reducing the temperature by dispensing water, you may get burnt!

Dispensing hot water —

1. Turn the machine on and wait a few minutes until the correct coffee temperature indicator light (Fig.1-5) turns on.
2. Place a cup under the professional wand.
3. Slowly turn the steam knob (Fig. 1-7) counter-clockwise and press the brew button (Fig.1-1) and the steam button (Fig.1-3) at the same time to allow for hot water to be dispensed.
4. Once the desired amount of hot water has been dispensed, stop dispensing by pressing the brew button (Fig.1-1) and the steam button (Fig.1-3) again and turn the steam knob clockwise.

Note. After priming the circuit and when hot water is dispensed from the steam wand, there might be some water left inside. To drain it, we recommend dispensing some steam for a few seconds.

To prepare another coffee immediately, lower the boiler temperature by dispensing hot water from the coffee brew unit (Fig.1-8). Follow the instructions given in the paragraph "How to lower the boiler temperature", otherwise the coffee may taste burnt.

Note. The dispensing operation should last no longer than 60 seconds.

Warning! The steam wand may be very hot during and after use. To avoid burns, move it only by placing your fingers on the rubber tip fitted on the steam wand.

How to lower the boiler temperature —

1. Do not insert the filter holder.
2. Place an empty cup on the grill.
3. Press the brew button (Fig.1-1) and fill the cup with water.
4. Press the brew button again (Fig.1-1).

The machine is now ready to brew another coffee.

Cleaning and maintenance

Regular cleaning and maintenance keep the machine in perfect conditions and ensure perfect coffee flavour, a constant coffee flow and excellent milk froth for a long period of time.

Cleaning the steam wand

After each milk frothing:

1. Clean the steam wand with a damp cloth. To clean it more thoroughly, you can unscrew the nozzle (Fig.13) and wash it with running water.
2. Open the steam knob, allowing the steam to escape for one or two seconds to clear the nozzle hole (Fig.1-23).

Cleaning the filter holder and the filters

The filters should be kept clean to guarantee perfect results.

Warning! The filter must only be replaced when the filter holder cup has cooled down completely to avoid burns.

Every day, remove the filter from the filter holder as described in (Fig.14) and wash it with warm water.

If you notice a malfunction when brewing coffee, immerse the filters in boiling water for 10 minutes and then rinse them with running water.

To clean the filters more thoroughly, we recommend using the GAGGIA cleaning tablets specifically designed to keep your machine in perfect working order.



Cleaning the grill and drip tray

Remove the drip tray and the grill (Fig.1-10,11) and wash them with water. Do not use abrasive cleaning tools.

Cleaning the water tank

Warning! To avoid burns, the tank should be cleaned only when the machine is turned off. The drain hose (Fig. 11) may reach high temperatures during operation.

Remove the water tank (Fig.1-13) and wash it with fresh water.

To remove the water tank, first remove the drip tray (Fig 1-11), and then remove the drain pipe (Fig.11) by pulling it downwards.

Note. When reinserting the tank, make sure that the silicone tubes are inside the tank and that they are neither twisted nor blocked (Fig.12).

Cleaning the screen

Regularly remove any residual coffee grounds from the screen (Fig.16) using a brush and wash with hot water following the instructions given in the section "How to lower the temperature".

Cleaning after a long period of inactivity

When the machine is not used for a long time (more than two weeks), follow the instructions given in the section "When using for the first time or after a period of inactivity of more than 2 weeks".

Descaling

Limescale normally builds up with the use of the appliance. Use the GAGGIA descaling product only. Its formula has been designed to ensure better machine performance and operation for its whole operating life. If correctly used, it also avoids alterations in the brewed product. Never use vinegar or other descaling agents.

Descaling should be performed every 2 months.



Warning! Never drink the descaling solution or any products dispensed until the cycle has been carried out to the end.

1. Remove the filter holder from the unit by turning it from right to left.
2. Remove and empty the water tank (see the chapter "Cleaning the water tank").
3. Pour HALF the content of the descaling solution into the water tank and fill it with fresh water up to the max level.
4. Turn on the machine by pressing the on / off button (Fig.1-2)

Dispense 2 cups of water (approximately 150 ml each) (see chapter "Hot Water Dispensing") from the steam wand and then another two cups of water (approximately 150 ml. each) from the coffee brewing unit, by pressing the coffee button (Fig.1- 1).

Turn off the machine by pressing the on / off button (Fig.1-2).

5. Let the descaling solution take effect for approximately 20 minutes with the machine turned off.
6. Turn on the machine by pressing the on / off button (Fig.1-2).

Dispense 2 cups of water (approximately 150 ml. each) from the steam wand and then another two cups of water (approximately 150 ml. each) from the coffee brewing unit.

Turn off the machine by pressing the on / off button (Fig.1-2) and leave it off for 3 minutes..

7. Repeat the water dispensing described in step 6, until the water tank is completely empty.
8. Rinse the water tank and fill it with fresh drinking water. Empty the drip tray.
9. Place a container under the steam wand. Open the steam/hot water knob (Fig.1-7) slowly by turning it counter-clockwise.
Press the brew button (Fig.1-1) and the steam button (Fig.1-3).
10. Dispense the whole water tank content through the steam wand. To stop dispensing, press the brew button (Fig.1-1) and the steam button (Fig.1-3) again and close the knob by turning it clockwise.

11. Fill the water tank with fresh drinking water. Insert the filter holder (Fig.1-17) into the brew unit (Fig.1-8) from the bottom, aligning the reference mark on the filter holder handle with the (●) icon on the front panel of the machine (Fig.3). Turn the filter holder from left to right until it locks into place on the (▼) icon (Fig.4).
12. Place a suitable container under the filter holder.
13. Press the coffee button (Fig.1-1) and dispense all the water in the tank. Once the tank is empty, stop dispensing by pressing the coffee button again (Fig.1-1) Finally, empty the container.
14. Remove the filter holder from the unit by turning it from right to left and rinse it with fresh drinking water.
15. Repeat the operations from step 8 once again, for a total of 4 tanks. The machine is now ready to be used.
16. The descaling cycle is now complete.
17. Refill the water tank with fresh water. If necessary, load the circuit as described in the chapter "Loading the Circuit".

In case of malfunction

Problem:	Make sure that:
No brewing.	There is water in the tank. The filter is not clogged because the mixture is too fine or the coffee is too pressed. The screen is clean.
The coffee brews too fast (less than 20 seconds).	The coffee has not been ground too coarsely. The coffee has been pressed with the tamper.
The pump is too noisy.	There is water in the tank. The pump has been activated (see circuit loading). There is enough coffee.
Excessive loss of water from the filter holder.	The filter holder has been inserted correctly (Fig.1-17). The seal is not dirty (Fig.16). There are no coffee residues on the edge of the filter holder.
The espresso is not creamy enough.	The coffee has not been ground too coarsely. The coffee has been pressed with the tamper. The coffee is not too old or dry. The traditional filter has been used with the frothing jet device (Fig.1-16).
The coffee is too cold.	The machine has been heated. The coffee has not been ground too coarsely. The coffee has been brewed in cold cups. It is recommended to always brew coffee in warm cups. The filter holder has not been preheated (Only for the 1st coffee).
The milk does not froth enough.	The steam nozzle is not clogged. The steam nozzle has not been inserted too deep in the jug. The milk is not too hot.
The machine squirts coffee out from the filter holder.	The frothing jet device was installed with the "crema perfetta" filter.
The machine housing and the drain hose are hot.	The steam button is off.

IMPORTANT

Lors de l'utilisation d'appareils électriques, il est indispensable de respecter toujours les précautions de sécurité principales, y compris les suivantes:

1. Lire toutes les instructions.
2. Ne pas toucher les surfaces chaudes. Utiliser les poignées ou les boutons.
3. Afin d'éviter tout incendie, choc électrique et blessure, ne pas plonger le cordon, la fiche ou l'appareil dans l'eau ou dans n'importe quel liquide.
4. Il est nécessaire de contrôler attentivement lorsque l'appareil est utilisé par des enfants ou à leur proximité.
5. Débrancher de la prise de courant lorsque l'appareil n'est pas en service et avant son nettoyage. Laisser refroidir l'appareil aussi bien avant de retirer et de mettre en place ses accessoires qu'avant de le nettoyer.
6. Ne pas utiliser l'appareil avec un cordon ou une fiche détériorés, après un mauvais fonctionnement de l'appareil ou son endommagement de n'importe quelle manière. Renvoyer l'appareil au centre d'assistance agréé le plus proche pour tout contrôle, réparation et réglage.
7. L'utilisation d'accessoires non recommandés par le constructeur de l'appareil pourrait engendrer des incendies, des chocs électriques et des blessures.
8. Ne pas utiliser à l'extérieur.
9. Ne pas laisser les cordons pendre des bords de la table ou du plan de travail, ni toucher les surfaces chaudes.
10. Ne pas placer près du feu ou sur une cuisinière, électrique et à gaz, ou dans un four chaud.
11. Toujours brancher le cordon d'alimentation à la machine d'abord et ensuite à la prise de courant sur le mur. Pour débrancher, éteindre

toute commande en appuyant sur « OFF » et ensuite enlever la fiche de la prise de courant sur le mur.

12. Ne pas utiliser l'appareil pour toute autre utilisation non prévue.
13. Garder ces instructions.

CONSERVER CES INSTRUCTIONS

PRÉCAUTIONS

La machine est réservée à un usage domestique. Tout entretien, en dehors du nettoyage et de l'entretien usuel par l'utilisateur, doit être fait par un service après-vente autorisé. Ne pas plonger la base dans l'eau. Pour éviter les courts-circuits et les décharges électriques, ne pas démonter la base. Elle ne contient aucune pièce qui demande un entretien de la part de l'utilisateur. Toute réparation doit être effectuée par le personnel d'un service après-vente autorisé.

1. Vérifier si le voltage correspond bien aux spécifications apparaissant sur la plaque signalétique.
2. Ne jamais mettre de l'eau tiède ou chaude dans le réservoir; mais toujours de l'eau froide.
3. Ne pas toucher les surfaces chaudes de l'appareil pendant le fonctionnement et en écartant le cordon électrique.
4. Ne pas utiliser d'alcool éthylique, de solvants, d'essences, de poudre à récurer et/ou d'objets abrasifs pour le nettoyage de la machine.
5. Utiliser de l'eau purifiée ou en bouteille pour assurer le bon goût du café. Il sera toutefois nécessaire de procéder au détartrage de votre machine tous les 2-3 mois.
6. Ne pas utiliser du café au préparation à base de sucre (ex: caramel) ou mélangé avec toute autre recette.

INSTRUCTIONS SUR LE CORDON ÉLECTRIQUE

- A. Votre appareil est muni d'un cordon électrique court ou d'un cordon d'alimentation détachable, afin d'éviter de trébucher ou de s'emmêler avec un câble plus long.
- B. Des cordons détachables plus longs ou bien des rallonges sont disponibles et ne peuvent être utilisés que si l'on prend toutes les précautions d'usage.
- C. En cas d'utilisation d'un long cordon d'alimentation détachable ou d'une rallonge,
 1. La tension électrique de fonctionnement marquée sur le cordon d'alimentation détachable ou sur la rallonge doit être au moins égale à celle de l'appareil.
 2. Si la fiche de l'appareil a une connexion de terre, la rallonge devrait être une rallonge de terre à 3 fils et
 3. La rallonge ne devra pas encombrer le plan de travail ou le dessus de table, afin d'éviter que les enfants la tirent ou trébuchent accidentellement.

Nous vous félicitons pour votre choix!

En achetant la nouvelle Gaggia Classic Pro, vous avez choisi un modèle de machine qui vous permettra de devenir un vrai garçon de café à la maison et de redécouvrir, à chaque pause café, les gestes traditionnels des professionnels de l'expresso. L'utilisation de la machine Classic Pro requiert une attention particulière à chaque détail, tout comme pour une machine à café professionnelle: la machine doit être bien chaude et le porte-filtre doit toujours être monté pour maintenir une température homogène dans tout le groupe de distribution; la mouture du café doit être fine, mais pas trop; il faut introduire la bonne quantité de café moulu dans le filtre et presser avec la juste intensité, ni trop peu pour éviter que le café ne sorte trop vite ni excessivement pour éviter que la distribution ne devienne très difficile. La nouvelle Classic Pro est équipée d'un groupe porte-filtre et d'une lance vapeur qui s'inspirent de ceux des machines professionnelles.

Sommaire

INFORMATIONS DE SÉCURITÉ IMPORTANTES	28
Avertissement	28
Attention	30
Machines avec mousser à lait classique	32
Machines avec mousser à lait automatique	33
Champs électromagnétiques (CEM)	33
Recyclage	34
Garantie et assistance	34
DESCRIPTION	35
CE QU'IL FAUT SAVOIR	35
INTRODUCTION	36
FILTRES FOURNIS	36
Filtre « crema perfetta » pour 1 ou 2 tasses (Fig. 5)	36
Filtre traditionnel 2 tasses (Fig. 7)	36
PREMIÈRE INSTALLATION	36
Amorçage du circuit	36
À la première utilisation ou après une période d'inutilisation de plus de 2 semaines	37
PRÉPARATION D'UN EXPRESSO AVEC DU CAFÉ MOULU	37
Procéder à la préparation de l'expresso	37
PRÉPARATION D'UN CAPPUCCINO	38
DISTRIBUTION D'EAU CHAUDE	39
COMMENT ABAISSER LA TEMPÉRATURE DE LA CHAUDIÈRE	40
NETTOYAGE ET ENTRETIEN	40
Nettoyage de la lance vapeur	40
Nettoyage du porte-filtre et des filtres	40
Nettoyage de la grille et du bac d'égouttement	41
Nettoyage du réservoir à eau	41
Nettoyage de la douchette	41
Nettoyage après une période d'inutilisation	41
DÉTARTRAGE	41
EN CAS DE DYSFONCTIONNEMENT	43

Informations de sécurité importantes

Cette machine est équipée de fonctions de sécurité. Veuillez néanmoins lire et suivre attentivement les consignes de sécurité et utiliser la machine uniquement tel qu'indiqué dans ces instructions, afin d'éviter toute blessure ou tout dommage accidentels dus à une mauvaise utilisation. Conservez cette brochure de sécurité pour toute consultation ultérieure.

Avertissement

Informations d'ordre général

- Avant de brancher la machine, vérifiez que la tension indiquée sur la machine correspond à la tension secteur.
- Branchez la machine sur une prise murale mise à la terre.
- Ne laissez pas le cordon pendre de la table ou du plan de travail ni entrer en contact avec des surfaces chaudes.
- Pour éviter le risque d'électrocution, ne plongez jamais la machine, le cordon ou le câble d'alimentation dans l'eau ou dans tout autre liquide.
- Ne versez pas de liquides sur le connecteur du cordon d'alimentation.
- Pour éviter le risque de brûlure, évitez tout contact avec les jets d'eau chaude émis par l'appareil.
- Évitez de toucher les surfaces chaudes. Utilisez les poignées et boutons.
- Éteignez la machine au moyen de l'interrupteur principal situé à l'arrière (le cas échéant) et retirez le cordon d'alimentation de la prise murale:
 - En cas de dysfonctionnement.
 - Si vous ne comptez pas utiliser l'appareil pendant une période prolongée.
 - Avant de nettoyer la machine.



- Tirez sur la prise et non sur le cordon d'alimentation.
- Ne touchez pas la prise secteur avec les mains humides.
- N'utilisez jamais l'appareil si la fiche, le cordon d'alimentation ou l'appareil lui-même est endommagé.
- Évitez d'effectuer toute modification de la machine ou de son cordon d'alimentation.
- Effectuez uniquement les réparations auprès d'un centre de service autorisé par Gaggia pour éviter tout risque.
- La machine ne peut être utilisée par des enfants âgés de moins de 8 ans.
- Cette machine peut être utilisée par des enfants âgés de 8 ans ou plus, des personnes dont les capacités physiques, sensorielles ou intellectuelles sont réduites ou des personnes manquant d'expérience et de connaissances, à condition que ces enfants ou personnes soient sous surveillance ou qu'ils aient reçu des instructions quant à l'utilisation sécurisée de la machine et qu'ils aient pris connaissance des dangers encourus.
- Le nettoyage et l'entretien ne peuvent pas être réalisés par des enfants sauf s'ils sont âgés de plus de 8 ans et sous surveillance.
- Tenez la machine et son cordon hors de portée des enfants de moins de 8 ans.
- Veillez à ce que les enfants ne jouent pas avec l'appareil.
- Soyez prudent lorsque vous versez de l'eau chaude. De petits jets d'eau chaude peuvent précéder l'écoulement de l'eau. Attendez la fin du cycle de



distribution avant de retirer la buse de distribution de l'eau chaude.

Attention

Informations d'ordre général

- Cette machine est uniquement destinée à un usage domestique normal. Elle ne peut être utilisée dans des environnements tels que des cuisines réservées aux employés dans les entreprises, magasins, fermes et autres environnements de travail.
- Placez toujours l'appareil sur une surface stable et plane. Maintenez-le en position verticale, également pendant le transport.
- Ne placez pas la machine sur une plaque chauffante ou directement à côté d'un four chaud, d'un appareil de chauffage ou d'une source similaire de chaleur.
- Veillez à placer uniquement du café moulu dans le porte-filtre pressurisé. Placer du café en grains, du café soluble, du café non torréfié en grains ou toute autre substance dans le porte-filtre pressurisé risquerait d'endommager la machine. Dans ce cas, la réparation n'est pas couverte par la garantie.
- Laissez refroidir la machine avant d'insérer ou de retirer tout composant. Les surfaces de chauffe risquent de retenir la chaleur après leur utilisation.
- Ne touchez jamais le tuyau de vidange de l'eau (si fourni) pendant l'utilisation de la machine, car il pourrait être très chaud. Le laisser d'abord refroidir.
- Ne remplissez jamais le réservoir d'eau avec de l'eau chaude, tiède ou gazeuse car vous risqueriez de l'endommager ou d'endommager la machine.
- N'utilisez jamais des tampons à récurer, des produits abrasifs ou des détergents agressifs tels que de

l'essence ou de l'acétone pour nettoyer la machine. Utilisez uniquement un chiffon doux humidifié avec de l'eau.

- Détartrez votre machine régulièrement. Sans détartrage, votre appareil cessera de fonctionner correctement. Dans ce cas, la réparation n'est pas couverte par la garantie.
- Ne conservez pas la machine à une température inférieure à 0 °C. L'eau laissée dans le système de chauffe peut geler et provoquer des dommages.
- Veillez à ne pas laisser d'eau dans le réservoir lorsque la machine est inutilisée pendant une période prolongée. Il est possible que l'eau soit contaminée. Utilisez de l'eau fraîche à chaque utilisation de la machine.
- N'utilisez jamais d'accessoires ou de pièces d'un autre fabricant ou n'ayant pas été spécifiquement recommandés par Gaggia. Votre garantie n'est plus valable en cas d'utilisation de tels accessoires ou pièces.
- Un nettoyage et un entretien réguliers prolongent la durée de vie de votre machine et assurent la qualité et le goût de votre café.
- La machine est constamment exposée à de l'humidité, du café et du tartre. Il est donc très important de nettoyer et d'entretenir régulièrement la machine comme décrit dans le manuel d'utilisation et illustré sur le site Web. Si vous n'accomplissez pas ces opérations de nettoyage et d'entretien, il est possible que votre machine cesse de fonctionner. Dans ce cas, la réparation n'est pas couverte par la garantie.
- Ne nettoyez pas le porte-filtre pressurisé dans le lave-vaisselle et n'utilisez pas de liquide vaisselle ou

de détergent pour le nettoyer. Cela peut causer un mauvais fonctionnement du porte-filtre pressurisé et avoir un effet nuisible sur le goût du café.

- Évitez de sécher le groupe de percolation avec un chiffon, afin d'empêcher que des fibres ne tombent dedans.
- Ne buvez jamais la solution versée pendant l'étape de détartrage.
- Ne jamais ôter le porte-filtre pressurisé pendant la distribution du café. Pendant la phase de chauffage du groupe de distribution du café, des gouttes d'eau chaude peuvent s'écouler.
- La machine ne doit pas être placée dans une armoire pendant son utilisation.

Machines avec mousser à lait classique

Avertissement

- Pour éviter le risque de brûlure, vous devez tenir compte du fait que la distribution peut être précédée par l'émission de petits jets d'eau chaude.
- Ne touchez jamais le mousser à lait classique à mains nues car il peut devenir très chaud. Utilisez uniquement le manche protecteur adéquat.

Attention

- Après la production de mousse de lait, nettoyez rapidement le mousser à lait classique en versant une petite quantité d'eau chaude dans un récipient. Retirez ensuite la partie extérieure du mousser à lait classique et lavez-la à l'eau tiède.

Machines avec mouseur à lait automatique —

Avertissement

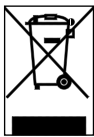
- Pour éviter le risque de brûlure, vous devez tenir compte du fait que la distribution de vapeur ou d'eau chaude peut être précédée par l'émission de petits jets d'eau chaude. Ne touchez jamais la buse de distribution d'eau chaude/de vapeur à mains nues, car elle peut devenir très chaude. Utilisez uniquement le manche protecteur adéquat.
- Ne buvez jamais la solution distribuée pendant la procédure de nettoyage mensuel du mouseur à lait automatique.

Attention

- Pour des raisons d'hygiène, vérifiez que la surface extérieure de la buse de distribution d'eau chaude/de vapeur est propre.
- Après la production de mousse de lait, nettoyez rapidement le mouseur à lait automatique en versant une petite quantité d'eau chaude. Respectez les instructions de nettoyage du manuel d'utilisation.
- Soyez prudent, car la buse de distribution d'eau chaude/de vapeur peut être chaude si la machine a été récemment utilisée.
- Ne poussez pas l'embout en caoutchouc trop loin sur la buse de distribution d'eau chaude/de vapeur lorsque vous l'insérez. Dans ce cas, le mouseur à lait automatique ne fonctionnerait pas correctement car il ne pourrait pas aspirer de lait.

Champs électromagnétiques (CEM) —

Cette machine est conforme à toutes les normes et à tous les règlements applicables relatifs à l'exposition aux champs électromagnétiques.



Recyclage

- Ce symbole signifie que ce produit ne doit pas être jetées avec les déchets ménagers (2012/19/EU).
- Respectez les réglementations de votre pays concernant la collecte séparée des appareils électriques et électroniques. La mise au rebut appropriée des piles permet de protéger l'environnement et la santé.

Garantie et assistance

Si vous avez besoin d'assistance, contactez un point de vente local ou un centre d'assistance agréé.

Nos contacts sont indiqués dans le dépliant de garantie fourni séparément ou sur les sites www.gaggia.com ou www.gaggia.it.





Description

VUE D'ENSEMBLE DE LA MACHINE (FIG. 1)

- 1 Touche café
- 2 Touche allumage / arrêt
- 3 Touche vapeur
- 4 Voyant d'allumage
- 5 Voyant température café
- 6 Voyant température vapeur
- 7 Bouton vapeur / eau chaude
- 8 Groupe de distribution du café
- 9 Tuyau de vidange
- 10 Grille
- 11 Bac d'égouttement
- 12 Couvercle du réservoir
- 13 Réservoir à eau (amovible)
- 14 Lance vapeur / eau chaude avec soufflet de protection en caoutchouc
- 15 Filtre « crema perfetta » 1 et 2 tasses
À n'utiliser qu'avec le brise-jet mousseur (Fig. 1-16)
- 16 Brise-jet mousseur
- 17 Porte-filtre
- 18 Filtre traditionnel 2 tasses
- 19 Mesure
- 20 Presse-café
- 21 Cordon d'alimentation et fiche
- 22 Buse vapeur

Ce qu'il faut savoir

1. Le goût de l'expresso dépend de la quantité et du type de café utilisé.
2. Le goût particulier d'un grain de café dépend de plusieurs facteurs, mais son goût et son arôme sont le résultat du processus de torréfaction. Les grains de café torréfiés pendant plus longtemps et à des températures plus élevées ont une couleur plus foncée. Les grains plus foncés libèrent plus d'arôme que les grains clairs. Il existe différentes marques de café sur le marché. Chaque type de torréfaction est caractérisé par un mélange de grains torréfiés à une température particulière et avec un type particulier d'arôme.

Il existe des cafés décaféinés ne contenant que 2 % de caféine. Il convient d'essayer l'un des différents types de café dans le commerce avec la machine à café expresso, ceci afin de découvrir probablement un meilleur arôme que celui du mélange utilisé jusqu'à présent.

3. Les machines à café expresso à pompe requièrent un mélange finement moulu. Veiller à acheter le mélange désiré avec un degré de mouture adapté aux machines à café expresso. Il est préférable d'utiliser un moulin à café à meules plutôt qu'un moulin à café à lame parce que ce dernier libère trop de poudre de café et la mouture obtenue est irrégulière.
4. L'idéal serait de mouler le café juste avant de l'utiliser. Ne pas oublier qu'il doit être moulu pour une machine à café expresso à pompe.
5. Il est conseillé de conserver le café dans une boîte hermétique, dans un endroit frais et sec, loin de sources de chaleur.
6. Le véritable expresso se reconnaît à sa couleur foncée, son goût riche et sa « crème naturelle » typique.
7. Le cappuccino est une combinaison spéciale de café expresso et de lait chaud émulsionné. Il peut être servi avec une pincée de cannelle, de noix muscade ou de cacao.
8. Servir le café expresso immédiatement après l'avoir préparé.
9. Servir le café expresso dans des tasses à café et le cappuccino dans des tasses pour le petit déjeuner.



Introduction

Avant d'utiliser la machine pour la première fois, lire attentivement le livret de sécurité et le conserver pour toute référence future.

Filtres fournis

Filtre « crema perfetta » pour 1 ou 2 tasses (Fig. 5)

Ce filtre est déjà monté sur le porte-filtre et il permet de préparer un espresso avec de la crème même lors des premières utilisations de la machine.

Remarque. Ce filtre doit toujours être combiné au brise-jet mousseur. (Fig. 1-16).

Filtre traditionnel 2 tasses (Fig. 7)

Ce filtre est identique à ceux utilisés sur les machines à café professionnelles et il requiert de la dextérité et de l'expérience.

Remarque. Ce filtre ne doit pas être utilisés avec le brise-jet mousseur. (Fig. 1-16).

Il est conseillé de commencer avec le filtre « crema perfetta » et après avoir acquis la dextérité et l'expérience nécessaires, de passer aux filtre traditionnel pour apprécier une utilisation digne d'un garçon de café.

Première installation

1. Retirer le couvercle du réservoir à eau (Fig. 2) et le remplir avec de l'eau froide jusqu'au niveau MAX du réservoir (Fig. 1-13).
2. Introduire la fiche dans la prise de courant située à l'arrière de la machine (Fig. 9) et l'extrémité opposée du cordon d'alimentation dans une prise de courant murale ayant une tension appropriée.

Appuyer sur la touche d'allumage / arrêt (Fig. 1-2), le voyant d'allumage s'allume (Fig. 1-4).

Amorçage du circuit

Attention! Ne pas appuyer sur la touche café sans avoir d'abord fait l'amorçage du circuit.

1. Placer une tasse vide sous le groupe de distribution (Fig. 1-8) sans insérer le porte-filtre et appuyer sur la touche café (Fig. 1-1).

La pompe émettra le son typique correspondant à sa mise en marche et après quelques secondes, l'eau commencera à descendre du groupe de distribution (Fig. 1-8).

2. Après avoir attendu que la tasse se remplisse (150 cm³ environ), appuyer à nouveau sur la touche café (Fig. 1-1).

Remarque. Il peut arriver que l'autoamorçage de la pompe ne fonctionne pas temporairement à cause d'une « bulle d'air ».

Si l'eau ne descend pas du groupe de distribution (Fig. 1-8), procéder de la façon suivante:

1. Placer une tasse sous la lance vapeur (Fig. 1-14).
2. Tourner le bouton (Fig. 1-7) dans le sens inverse des aiguilles d'une montre pour ouvrir le robinet de distribution de vapeur / eau chaude.
3. Appuyer sur la touche café (Fig. 1-1) pour mettre la pompe en marche.
4. Après quelques secondes, de l'eau commencera à sortir de la lance vapeur. Laisser se remplir une tasse d'eau environ.
5. Fermer le bouton de distribution de vapeur / eau chaude (Fig. 1-7).
6. Appuyer à nouveau sur la touche café (Fig. 1-1).

Remarque. après avoir amorcé le circuit et lorsque l'on distribue de l'eau chaude par la buse de vapeur, une petite quantité d'eau peut rester à l'intérieur. Pour la faire sortir, purger la lance en distribuant de la vapeur, pendant quelques secondes.

À la première utilisation ou après une période d'inutilisation de plus de 2 semaines

Remarque L'eau distribuée lors de cette phase doit être jetée et ne peut pas être destinée à la consommation humaine. Si le récipient se remplit, pendant le cycle, arrêter la distribution et le vider avant de recommencer l'opération.

1. Rincer le réservoir à eau (Fig. 2) (voir la section « nettoyage du réservoir à eau ») et le remplir avec de l'eau fraîche potable.
2. Placer un récipient sous la lance vapeur (Fig. 1-14).
3. Ouvrir lentement le bouton vapeur / eau chaude (Fig. 1-7) en le tournant dans le sens inverse des aiguilles d'une montre.
4. Appuyer sur la touche café (Fig. 1-1) et sur la touche vapeur (Fig. 1-3).
5. Distribuer tout le contenu du réservoir à eau à travers la lance vapeur.
6. Pour terminer la distribution, appuyer à nouveau sur la touche café (Fig. 1.1) et sur la touche vapeur (Fig. 1-3).
7. Fermer le bouton du robinet (Fig. 1-7) en le tournant dans le sens des aiguilles d'une montre.
8. Remplir le réservoir avec de l'eau fraîche potable (Fig. 2).
9. Introduire le porte-filtre par le bas dans le groupe de distribution, en faisant coïncider la référence sur la poignée du porte-filtre avec le symbole (●) qui se trouve sur la façade de la machine (Fig.3). Tourner le porte-filtre de gauche à droite jusqu'à ce qu'il se bloque en correspondance du symbole (▼) (Fig.4).
10. Placer un récipient approprié sous le porte-filtre.
11. Appuyer sur la touche café (Fig. 1-1) et distribuer toute l'eau contenue dans le réservoir.
12. Lorsque l'eau est terminée, arrêter la distribution en appuyant à nouveau sur la touche café (Fig. 1-1) et vider le récipient.
13. Enlever le porte-filtre du groupe en le tournant de droite à gauche et le rincer avec de l'eau potable fraîche.
14. La machine est prête à l'emploi.

Préparation d'un espresso avec du café moulu

Le porte-filtre fourni de série est équipé du filtre « crema perfetta » pour la préparation d'un café ou deux.

Attention! Si le filtre « crema perfetta » est utilisé sans le brise-jet mousser, la machine projette le café, ce qui comporte un risque de brûlures.

Remarque. Pour utiliser le filtre traditionnel (Fig. 7), retirer le filtre « crema perfetta » (Fig. 5) ainsi que le brise-jet mousser (Fig. 1-16).

Pour distribuer le premier café, il est nécessaire de préchauffer d'abord le porte-filtre (Fig. 1-17):

1. Introduire le porte-filtre (Fig.1-17) par le bas dans le groupe de distribution (Fig.1-8), en faisant coïncider la référence sur la poignée du porte-filtre avec le symbole (●), qui se trouve sur la façade de la machine (Fig.3). Tourner le porte-filtre de gauche à droite jusqu'à ce qu'il se bloque en correspondance du symbole (▼) (Fig.4).
2. Placer une grande tasse sous le porte-filtre (Fig. 1-17) et appuyer sur la touche café (Fig. 1-1)
3. Après avoir rempli la tasse avec de l'eau (150 cm³ environ), appuyer à nouveau sur la touche café et attendre pendant quelques minutes que la machine atteigne la température correcte avec le porte-filtre inséré.

Remarque. Il pourrait y avoir un reste d'eau dans le porte-filtre. Cette eau doit être éliminée avant de remplir le filtre avec le café moulu.

Procéder à la préparation de l'espresso

4. Enlever le porte-filtre (Fig. 1-17) et le remplir avec du café moulu en utilisant la mesure fournie avec la machine (Fig.1-20).

Il faut compter une mesure par tasse de café.

Remarque. Il est conseillé de demander en phase de torréfaction ou d'acheter dans la grande distribution un café moulu finement, indiqué pour les machines à café.

5. Presser à l'aide du presse-café (Fig. 1-21). Le pressage doit être uniforme pour obtenir une surface bien nivelée et plate.
6. Éliminer tout résidu éventuel de café du bord du porte-filtre (Fig. 1-17).
7. Introduire le porte-filtre (Fig.1-17) par le bas dans le groupe de distribution (Fig.1-8), en faisant coïncider la référence sur la poignée du porte-filtre avec le symbole (●) qui se trouve sur la façade de la machine (Fig.3). Tourner le porte-filtre de gauche à droite jusqu'à ce qu'il se bloque en correspondance du symbole (▼) (Fig.4).
8. Attendre que le voyant s'allume (Fig. 1-5).
9. Appuyer sur la touche café (Fig. 1-1).
10. Lorsque les tasses seront aux 3/4 pleines, appuyer à nouveau sur la touche café (Fig. 1-1).

Le café aura un goût plus ou moins intense en fonction de la quantité d'eau utilisée et s'il a été préparé en suivant la procédure correcte, il aura sa « crème naturelle » typique, couleur noisette / marron.

L'eau excédentaire sera évacuée par le tuyau de vidange, une fois la distribution terminée (fig. 11).

Pour préparer un autre expresso, enlever lentement et avec prudence le porte-filtre en le déplaçant vers la gauche. Faire attention à ne pas se brûler avec l'eau restée sur le marc de café. Quelques gouttes d'eau continueront à couler une fois le porte-filtre retiré. Cela est dû à la pression de l'eau dans le système. Retirer le marc de café du filtre et les résidus éventuels de la douchette (Fig. 16).

Remarque. Il est conseillé de laisser le porte-filtre propre monté sur la machine sans trop le serrer, pour garantir toujours une température optimale du groupe de distribution.

Préparation d'un cappuccino

Pour préparer un cappuccino traditionnel, il est conseillé d'utiliser

- du lait frais, entier, à basse température, de préférence haute qualité. La densité du lait émulsionné dépend de la teneur en matière grasse du lait.
- des pichets de lait en acier inoxydable, circulaires, bombés, avec un rétrécissement sur le dessus et une buse, nécessaire pour préparer des cappuccino décorés.

La lance vapeur (Fig. 1-14) produira toute la vapeur nécessaire pour émulsionner le lait sans le faire bouillir.

Après deux ou trois essais et quelques efforts, la préparation du cappuccino sera un jeu d'enfant. Avant de commencer, il est important de déplacer légèrement la lance vapeur vers l'extérieur afin de placer le pichet directement sous la lance vapeur et de faciliter les mouvements nécessaires pour une émulsion correcte du lait.

Ensuite procéder de la façon suivante :

1. Préparer l'expresso dans une grande tasse à cappuccino comme expliqué à la section « Préparation d'un expresso avec du café moulu ».
2. Appuyer sur la touche vapeur (Fig. 1-3).
3. Après 15-20 secondes et lorsque le voyant de température vapeur (Fig. 1-6) s'allume.
4. Tourner légèrement le bouton vapeur / eau chaude dans le sens inverse des aiguilles d'une montre pour éliminer la condensation de la lance et refermer le bouton.
5. Placer le pichet à moitié rempli de lait froid sous la lance vapeur.
6. Placer la buse de la lance juste en dessous de la surface du lait. Si elle est trop profonde, le lait ne monte pas, si elle ne l'est pas assez, elle produit de grosses bulles qui disparaissent immédiatement.

Il est important de garder la buse près du bord du pichet, et non au centre, avec un angle adapté pour produire un tourbillon considérable (Fig.8-1).



7. Tourner le bouton du robinet de distribution de vapeur (Fig. 1-7) dans le sens inverse des aiguilles d'une montre pour faire sortir la vapeur. Lors de cette phase, l'absorption d'air est maximale, le lait doit monter presque à froid.

Remarque. La pression de la vapeur augmente en tournant le bouton.

Remarque. Une distribution de 60 secondes maximum est conseillée.

Une distribution continue de vapeur pendant plus de 60 secondes risque de vider complètement la chaudière. Dans ce cas, procéder de la façon indiquée à la section « Amorçage du circuit ».

Remarque. Pour une émulsion correcte du lait, la buse vapeur (Fig. 1-23) doit toujours être en contact avec le lait et non avec l'émulsion de lait (Fig. 8-2). Par conséquent, au fur et à mesure que la couche d'émulsion augmente, il faut soulever légèrement le pichet en essayant de maintenir la buse en contact avec le lait sans toucher le fond du pichet (Fig. 8-A).

8. Après avoir obtenu l'émulsion souhaitée, il faut pousser la lance vapeur plus à fond pour bien chauffer le lait.

Remarque. Il est conseillé de toujours laisser une main sur la partie bombée du pichet pour sentir l'augmentation de la température du côté du lait non émulsionné.

9. Après avoir obtenu le résultat souhaité, fermer le bouton vapeur en le tournant dans le sens des aiguilles d'une montre pour arrêter la distribution de vapeur, puis retirer le pichet.

Remarque. Après avoir fait monter le lait, pour compacter l'émulsion, il est conseillé de frapper légèrement le pichet contre une surface et de laisser reposer pendant 30 secondes au moins. Le lait devient plus homogène.

Attention! Il est important de ne faire monter que la quantité de lait nécessaire. Le lait chaud qui reste dans le pichet ne doit pas être réutilisé afin de ne pas détériorer la qualité de l'émulsion et surtout le goût du cappuccino. Il doit donc être destiné à d'autres fins.

10. Appuyer sur la touche vapeur (Fig. 1-3).

Verser le lait émulsionné dans le café. Garnir avec de la cannelle, du cacao ou de la noix muscade selon son goût.

Pour préparer immédiatement un autre café, abaisser la température de la chaudière en distribuant de l'eau chaude à travers le groupe de distribution du café (Fig. 1-8). Suivre les instructions figurant à la section « Comment abaisser la température ». Dans le cas contraire, le café risquerait d'avoir un goût de brûlé.

Attention! La lance vapeur pourrait atteindre une température élevée pendant et après son utilisation. Pour éviter toute brûlure, ne la déplacer qu'en touchant le soufflet de protection en caoutchouc, monté sur la lance vapeur.

Attention! Il existe un risque de brûlures si le café est distribué sans avoir abaissé la température en distribuant de l'eau !

Distribution d'eau chaude

1. Allumer la machine et attendre quelques minutes que le voyant de température correcte du café (Fig. 1-5) s'allume.
2. Placer une tasse sous la lance professionnelle.
3. Tourner lentement le bouton vapeur (Fig. 1-7) dans le sens inverse des aiguilles d'une montre et appuyer simultanément sur la touche café (Fig. 1-1) et sur la touche vapeur (Fig. 1-3) pour permettre la distribution d'eau chaude.
4. Après avoir obtenu la quantité d'eau chaude souhaitée, arrêter la distribution en appuyant à nouveau simultanément sur la touche café (Fig. 1-1) et sur la touche vapeur (Fig. 1-3), puis tourner le bouton vapeur dans le sens des aiguilles d'une montre.

Remarque. après avoir amorcé le circuit et lorsque l'on distribue de l'eau chaude par la buse de vapeur, une petite quantité d'eau peut rester à l'intérieur. Pour la faire sortir, purger la lance en distribuant de la vapeur, pendant quelques secondes.



Pour préparer immédiatement un autre café, abaisser la température de la chaudière en distribuant de l'eau chaude à travers le groupe de distribution du café (Fig. 1-8). Suivre les instructions figurant à la section « Comment abaisser la température de la chaudière ». Dans le cas contraire, le café risquerait d'avoir un goût de brûlé.

Attention! La lance vapeur pourrait atteindre une température élevée pendant et après son utilisation. Pour éviter toute brûlure, ne la déplacer qu'en touchant le soufflet de protection en caoutchouc, monté sur la lance vapeur.

Comment abaisser la température de la chaudière

1. Ne pas insérer le porte-filtre.
2. Placer une tasse vide sur la grille.
3. Appuyer sur la touche café (Fig. 1-1) et remplir la tasse d'eau.
4. Appuyer à nouveau sur la touche café (Fig. 1-1).

La machine est à présente prête pour distribuer un autre café.

Nettoyage et entretien —

Un nettoyage et un entretien réguliers maintiennent la machine dans des conditions optimales et garantissent pendant longtemps un café au goût excellent, un débit constant de café et une excellente mousse de lait.

Nettoyage de la lance vapeur —

Après chaque émulsion de lait:

1. Nettoyer la lance vapeur avec un chiffon humide. Pour un nettoyage plus approfondi, dévisser la buse (Fig. 13) et la nettoyer à l'eau courante.
2. Ouvrir le bouton vapeur et laisser sortir la vapeur pendant une seconde ou deux pour libérer le trou de la buse (Fig. 1-23).

Nettoyage du porte-filtre et des filtres

Les filtres doivent toujours être propres afin de garantir un résultat parfait.

Attention! Le filtre ne doit être remplacé que lorsque la coupe porte-filtre est complètement refroidie pour éviter toute brûlure.

Retirer quotidiennement le filtre du porte-filtre de la façon décrite sur la (Fig. 14) et le laver à l'eau tiède.

En cas de dysfonctionnement de la distribution du café, plonger les filtres dans l'eau bouillante pendant 10 minutes et puis les rincer à l'eau courante.

Pour une meilleure propreté des filtres, il est conseillé d'acheter des pastilles de nettoyage GAGGIA spécialement conçues pour maintenir la machine en parfait état de fonctionnement.





Nettoyage de la grille et du bac d'égouttement

Retirer le bac d'égouttement et la grille (Fig. 1-10,11), puis les laver à l'eau. Ne pas utiliser d'abrasifs.

Nettoyage du réservoir à eau

Attention! Pour éviter tout risque de brûlure, le nettoyage du réservoir doit être effectué, lorsque la machine est éteinte. Lors de l'utilisation, le tuyau de vidange (Fig. 11) peut atteindre des températures élevées.

Retirer le réservoir à eau (Fig. 1-13) et le laver à l'eau courante.

Pour retirer le réservoir à eau, retirer d'abord le bac d'égouttement (Fig. 1-11), puis extraire le tuyau de vidange (Fig. 11) en le tirant vers le bas.

Remarque. Au moment de remettre le réservoir en place, s'assurer que les tuyaux en silicone sont à l'intérieur du réservoir et qu'ils ne sont ni torsadés ni bloqués (Fig. 12).

Nettoyage de la douchette

Éliminer régulièrement les résidus de marc de café de la douchette (Fig. 16) à l'aide d'une brosse et effectuer un nettoyage à l'eau chaude en suivant les instructions figurant à la section « Comment abaisser la température ».

Nettoyage après une période d'inutilisation

Lorsque la machine n'est pas utilisée pendant une période prolongée (plus de deux semaines), suivre les instructions fournies à la section « À la première utilisation ou après une période d'inutilisation de plus de 2 semaines ».

Détartrage

La formation de calcaire est une conséquence naturelle de l'utilisation de l'appareil. N'utiliser que le produit détartrant GAGGIA, spécialement conçu pour garantir le rendement et le fonctionnement de la machine pendant toute sa durée de vie et pour éviter toute altération du produit distribué s'il est utilisé correctement. Ne jamais utiliser de vinaigre ou d'autres produits anticalcaire.



Le détartrage doit être effectué tous les 2 mois d'utilisation de la machine.

Attention! Ne pas boire la solution détartrante ni les produits distribués jusqu'à ce que le cycle ne soit complètement terminé.

1. Enlever le porte-filtre du groupe en le tournant de droite à gauche.
2. Retirer et vider le réservoir à eau (voir chapitre « Nettoyage du réservoir à eau »).
3. Verser la MOITIÉ du contenu de la bouteille de détartrant GAGGIA dans le réservoir à eau et le remplir avec de l'eau fraîche potable jusqu'au niveau MAX.
4. Allumer la machine en appuyant sur la touche d'allumage (Fig. 1-2)

Distribuer 2 tasses d'eau (environ 150 ml chacune) (voir chapitre « distribution d'eau chaude ») à travers la lance vapeur et ensuite deux autres tasses d'eau (environ 150 ml chacune) à travers le groupe de distribution du café, en appuyant sur la touche café (Fig. 1-1).

Éteindre la machine en appuyant sur la touche d'allumage (Fig. 1-2).

5. Laisser agir le détartrant pendant 20 minutes environ avec la machine éteinte.
6. Allumer la machine en appuyant sur la touche d'allumage (Fig. 1-2).

Distribuer 2 tasses d'eau (environ 150 ml chacune) au moyen de la lance vapeur et ensuite deux autres tasses d'eau (environ 150 ml chacune) au moyen du groupe de distribution du café.



42 FRANÇAIS

Éteindre la machine en appuyant sur la touche d'allumage (Fig. 1-2) et la laisser éteinte pendant 3 minutes.

7. Répéter la distribution d'eau de la façon décrite au point 6 jusqu'à ce que le réservoir à eau soit complètement vide.
8. Rincer le réservoir et le remplir avec de l'eau fraîche potable. Vider le bac d'égouttement.
9. Placer un récipient sous la lance vapeur. Ouvrir lentement le bouton vapeur / eau chaude (Fig. 1-7) en le tournant dans le sens inverse des aiguilles d'une montre.

Appuyer sur la touche café (Fig. 1-1) et sur la touche vapeur (Fig. 1-3).

10. Distribuer tout le contenu du réservoir à eau à travers la lance vapeur. Pour terminer la distribution, appuyer à nouveau sur la touche café (Fig. 1-1) et sur la touche vapeur (Fig. 1-3), puis fermer le bouton du robinet en le tournant dans le sens des aiguilles d'une montre.
11. Remplir le réservoir avec de l'eau fraîche potable. Introduire le porte-filtre (Fig.1-17) par le bas dans le groupe de distribution (Fig.1-8), en faisant coïncider la référence sur la poignée du porte-filtre avec le symbole (●) qui se trouve sur la façade de la machine (Fig.3). Tourner le porte-filtre de gauche à droite jusqu'à ce qu'il se bloque en correspondance du symbole (▼) (Fig.4).
12. Placer un récipient approprié sous le porte-filtre.
13. Appuyer sur la touche café (Fig. 1-1) et distribuer toute l'eau contenue dans le réservoir. Une fois que l'eau est terminée, appuyer de nouveau sur la touche café (Fig. 1-1) pour arrêter la distribution. Vider enfin le bac réservoir.
14. Enlever le porte-filtre du groupe en le tournant de droite à gauche et le rincer avec de l'eau potable fraîche.
15. Répéter encore une fois les opérations à partir du point 8, et ce pour un total de 4 réservoirs. Ensuite, la machine est prête à l'emploi.
16. Le cycle de détartrage est à présent terminé.
17. Remplir à nouveau le réservoir avec de l'eau fraîche. Le cas échéant, réamorcer le circuit de la façon décrite au chapitre « Amorçage du circuit ».

En cas de dysfonctionnement

Problème:	Contrôler:
Absence de distribution de café.	Qu'il y a de l'eau dans le réservoir. Que le filtre n'est pas bouché parce que le mélange est trop fin ou le café trop pressé. Que la douchette est propre.
La distribution du café est trop rapide (moins de 20 secondes).	Que le café n'a pas été moulu trop grossièrement. Que le café a été pressé avec le presse-café.
La pompe est trop bruyante.	Qu'il y a de l'eau dans le réservoir. Que la pompe est en marche (voir amorçage du circuit). Que la quantité de café est suffisante.
Perte excessive d'eau au niveau du porte-filtre.	Que le porte-filtre a été inséré correctement (Fig. 1-17). Que le joint n'est pas sale (Fig. 16). Qu'il n'y a pas de résidus de café sur le bord du porte-filtre.
L'expresso ne mousse pas.	Que le café n'a pas été moulu trop grossièrement. Que le café a été pressé avec le presse-café. Que le café n'est pas trop vieux ou trop sec. Que le filtre traditionnel a été utilisé avec le brise-jet mousser (Fig. 1-16).
Le café est trop froid.	Que la machine a été chauffée. Que le café n'a pas été moulu trop grossièrement. Que le café n'a pas été distribué dans des tasses froides. Il est conseillé de toujours distribuer le café dans des tasses chaudes. Que le porte-filtre a été préchauffé (seulement pour le 1er café).
Le lait n'est pas suffisamment émulsionné.	Que la buse vapeur n'est pas bouchée. Que la buse vapeur n'est pas trop profonde dans le pichet. Que le lait n'est pas trop chaud.
La machine projette du café par le porte-filtre.	Que le brise-jet mousser a été monté avec le filtre « crema perfetta ».
Le châssis de la machine et le tuyau de vidange sont très chauds.	Que la touche vapeur soit éteinte.

ADVERTENCIAS IMPORTANTES

Durante el uso de electrodomésticos, se aconseja tomar algunas precauciones de base:

1. Leer integralmente las instrucciones.
2. No tocar las superficies calientes. Usar los asideros o los mandos.
3. No sumergir el cable, los enchufes ni la estructura de la máquina en agua u otro líquido para evitar incendios, descargas eléctricas o accidentes.
4. Prestar una atención especial a la utilización de la máquina en presencia de niños.
5. Desconectar la máquina de la toma de corriente si no se usa y antes de cualquier tarea de limpieza. Dejar enfriar la máquina antes de introducir o extraer cualquiera de sus componentes y antes de proceder a su limpieza.
6. No poner en funcionamiento la máquina si el cable o el enchufe están dañados, si se producen mal funcionamientos o si el aparato ha sido dañado. Llevar a controlar, reparar o ajustar el aparato al centro de asistencia técnica autorizado más cercano.
7. El uso de accesorios no aconsejados por el fabricante del aparato podría causar incendios, descargas eléctricas o lesiones personales.
8. No utilizar al aire libre.
9. Evitar que el cable de alimentación cuelgue de la mesa o de la superficie de trabajo o que toque superficies calientes.
10. No colocar la máquina sobre o cerca de hornillos de gas o eléctricos o dentro de un horno caliente.
11. En cualquier caso, conectar antes el enchufe al aparato y luego el cable de alimentación a la toma de corriente de pared. Para desconectar la máquina, poner todos los mandos en "off", luego retirar el enchufe de la toma de corriente de pared.
12. No utilizar el aparato con fines distintos a los previstos.



13. Conservar estas instrucciones.

CONSERVAR ESTAS INSTRUCCIONES

ADVERTENCIAS

Este aparato está destinado exclusivamente al uso doméstico. Cualquier asistencia, excepto las operaciones de limpieza y habitual mantenimiento efectuadas por el usuario, deberá llevarse a cabo por un centro de asistencia técnica autorizado. No sumergir la máquina en agua. Para limitar el riesgo de incendios o descargas eléctricas, no desmontar la máquina. En el interior de la máquina no hay partes cuyo mantenimiento puede ser llevado a cabo por el usuario. Las reparaciones necesarias las debe efectuar únicamente el servicio de asistencia autorizado.

1. Comprobar que la tensión indicada en la placa de datos corresponda a la tensión de la instalación.
2. No llenar el depósito con agua caliente o hirviendo. Utilizar sólo agua fría.
3. Mantener las manos y el cable de alimentación lejos de las partes calientes de la máquina durante su funcionamiento.
4. No utilizar para la limpieza polvos abrasivos o detergentes agresivos. Es suficiente con utilizar un paño suave humedecido con agua.
5. Para obtener un café con un sabor excelente, utilizar agua depurada o embotellada. Se aconseja de todos modos una descalcificación periódica cada 2 o 3 meses.
6. No utilizar granos de café caramelizados o aromatizados.



INSTRUCCIONES PARA EL CABLE DE ALIMENTACIÓN

- A.** Utilizar un cable de alimentación corto (o un cable extraíble) para evitar engancharse o tropezar sobre un cable más largo.
- B.** Es posible utilizar cables extraíbles más largos o alargadores a condición de que se preste especial atención durante el uso.
- C.** Si se utiliza un cable de alimentación largo extraíble o un alargador:
 - 1.** Comprobar que la potencia eléctrica del cable de alimentación extraíble o del alargador sea al menos igual a la del aparato.
 - 2.** Si el aparato tiene puesta a tierra, comprobar que el alargador tenga tres hilos y esté provisto de puesta a tierra.
 - 3.** Colocar el cable de modo que no cuelgue de la superficie de trabajo o de la mesa para evitar que los niños se enganchen y tropiecen.

¡Le felicitamos por su elección!

Al comprar la nueva Gaggia Classic Pro, ha elegido un modelo de máquina que le permitirá convertirse en un auténtico barman hogareño, redescubriendo en cada pausa para el café los gestos tradicionales de los profesionales del café exprés. El uso de Classic Pro requiere poner atención a cada detalle, al igual que con una máquina de bar profesional: la máquina debe estar bien caliente y el portafiltro debe estar siempre montado para mantener una temperatura homogénea en todo el grupo de café, el molido del café debe ser fino pero no demasiado, es necesario poner la cantidad correcta de café molido en el filtro y prensarlo con la intensidad adecuada, ni mucho ni poco, para evitar que el café salga demasiado rápido o demasiado lento, lo que dificultaría en gran medida el suministro. La nueva Classic Pro está equipada con un grupo portafiltro y un tubo de vapor que recuerdan los de las máquinas profesionales.

Índice de contenidos

INFORMACIÓN DE SEGURIDAD IMPORTANTE	48
Advertencia	48
Precaución	50
Cafeteras con espumador de leche clásico	52
Cafeteras con espumador de leche automático	52
Campos electromagnéticos (CEM)	53
Reciclaje	53
Garantía y asistencia	53
DESCRIPCIÓN	54
COSAS QUE DEBE SABER	54
INTRODUCCIÓN	55
FILTROS INCLUIDOS	55
Filtro "crema perfetta" para 1 o 2 tazas (Fig.5)	55
Filtro tradicional 2 tazas (Fig.7)	55
PRIMERA INSTALACIÓN	55
Carga del circuito	55
Antes del primer uso o después de un período de inactividad de más de 2 semanas	56
PREPARACIÓN DE UN CAFÉ EXPRÉS CON CAFÉ MOLIDO	56
Proceder a la preparación del café exprés	56
PREPARACIÓN DE UN CAPUCHINO	57
SUMINISTRO DE AGUA CALIENTE	58
CÓMO BAJAR LA TEMPERATURA DE LA CALDERA	59
LIMPIEZA Y MANTENIMIENTO	59
Limpieza del tubo de vapor	59
Limpieza del portafiltro y de los filtros	59
Limpieza de la rejilla y de la bandeja de goteo	60
Limpieza del depósito de agua	60
Limpieza de la ducha	60
Limpieza tras un período sin utilizar la máquina	60
DESCALCIFICACIÓN	60
EN CASO DE MAL FUNCIONAMIENTO	62

Información de seguridad importante

Este aparato dispone de funciones de seguridad. No obstante, lea atentamente y siga las instrucciones de seguridad. Utilice la cafetera solamente como se describe en estas instrucciones con el fin de evitar lesiones o daños accidentales debidos al uso inadecuado del aparato. Conserve este folleto de seguridad para consultarlo en el futuro.

Advertencia

General

- Antes de enchufar el aparato, compruebe si el voltaje indicado en la cafetera se corresponde con el voltaje de red local.
- Conecte el aparato a un enchufe de pared con toma de tierra.
- No deje que el cable de alimentación cuelgue por el borde de una mesa o encimera ni que entre en contacto con superficies calientes.
- Para evitar el peligro de descarga eléctrica, no sumerja en agua, ni en ningún otro líquido, el aparato, el enchufe ni el cable de red.
- No vierta líquidos en el conector del cable de alimentación.
- Manténgase alejado de los chorros de agua caliente que produce el aparato para evitar quemaduras en el cuerpo.
- No toque las superficies calientes. Utilice las asas y los botones.
- Apague el aparato con el interruptor principal situado en la parte posterior (si existe) y desenchúfelo de la toma de corriente en las situaciones siguientes:
 - Si se produce una avería.
 - Si no va a utilizar la cafetera durante un tiempo prolongado.
 - Antes de limpiar la cafetera.

- Tire de la clavija, no del cable de alimentación.
- No toque la clavija de alimentación con las manos húmedas.
- No utilice el aparato si la clavija, el cable de alimentación o el propio aparato están dañados.
- No haga ninguna modificación en el aparato ni en el cable de alimentación.
- Repare el aparato solamente en un centro de servicio autorizado Gaggia para evitar riesgos.
- El aparato no debe ser utilizado por niños menores de 8 años de edad.
- Este aparato puede ser usado por niños a partir de 8 años y por personas cuya capacidad física, psíquica o sensorial esté reducida o no tengan los conocimientos y la experiencia necesarios, si cuentan con supervisión o formación sobre el uso seguro del aparato y siempre que conozcan los riesgos que conlleva su uso.
- Los niños no deben limpiar el aparato ni realizar tareas de mantenimiento a menos que sean mayores de 8 años y cuenten con supervisión.
- Mantenga la cafetera y el cable fuera del alcance de los niños menores de 8 años.
- Asegúrese de que los niños no jueguen con este aparato.
- Tenga cuidado al dispensar agua caliente. La dispensación puede llegar precedida de pequeños chorros de agua caliente. Espere a que el ciclo haya finalizado antes de retirar la boquilla dispensadora de agua caliente.

Precaución

General

- Este aparato está diseñado únicamente para un uso doméstico normal. No se ha diseñado para usarlo en entornos como cocinas para empleados de tiendas, oficinas, granjas u otros entornos laborales.
- Coloque siempre el aparato sobre una superficie plana y estable. Manténgalo en posición vertical, incluso durante el transporte.
- No coloque el aparato sobre una placa caliente, justo al lado de un horno caliente, un calefactor u otra fuente de calor similar.
- Ponga exclusivamente café molido en el portafiltro presurizado. Si pone café en grano, café soluble, granos de café crudos o cualquier otra sustancia, la máquina podría dañarse. En ese caso, la reparación que en su caso tuviera que efectuarse no estará cubierta por la garantía.
- Deje que la cafetera se enfríe antes de insertar o retirar cualquier pieza. Las superficies calentadoras pueden retener calor residual después del uso.
- Nunca tocar el tubo de desagüe de agua (si existe) durante el utilizzo porque podría estar muy caliente. Dejar que se enfríe.
- No llene nunca el depósito de agua con agua templada, caliente o con gas, ya que esto puede provocar daños en el depósito de agua y en la cafetera.
- No utilice estropajos, agentes abrasivos ni líquidos agresivos, como gasolina o acetona, para limpiar el aparato. Utilice simplemente un paño suave humedecido con agua.



- Realice regularmente la limpieza antical de la máquina. Si no se realiza, el aparato dejará de funcionar correctamente. En este caso, la garantía no cubre la reparación.
- No guarde la cafetera a temperaturas inferiores a 0 °C. El agua que queda en el sistema de calentamiento podría congelarse y provocar daños.
- No deje agua en el depósito de agua cuando no vaya a utilizar la cafetera durante un largo período de tiempo. El agua puede contaminarse. Utilice agua limpia cada vez que utilice el aparato.
- No utilice nunca accesorios ni piezas de otros fabricantes o que Gaggia no recomiende específicamente. Si utiliza este tipo de accesorios o piezas, la garantía quedará anulada.
- Una limpieza y un mantenimiento regulares prolongan la vida de la cafetera y garantizan una calidad óptima y el sabor perfecto para su café.
- La cafetera está expuesta de forma continuada a humedad, café y cal. Por ese motivo, es muy importante limpiar regularmente la máquina y realizar el mantenimiento con arreglo a lo descrito en el manual del usuario y en el sitio web. Si no sigue estos procedimientos, la cafetera podría dejar de funcionar. En este caso, la garantía no cubre la reparación.
- No lave el portafiltro presurizado en el lavavajillas y no utilice detergente líquido ni ningún otro limpiador para lavarlo. Puede provocar que el portafiltro presurizado se averíe y afectar al sabor del café.
- Para evitar que se introduzcan fibras en el interior, no seque el grupo de preparación del café con un paño.



- No beba la solución que se dispensa durante el proceso de eliminación de los depósitos de cal.
- No retire nunca el portafiltro durante el suministro de café, ya que está a presión. Durante la fase de calentamiento del grupo de suministro de café pueden salir gotas de agua caliente.
- No use la máquina dentro de un armario.

Cafeteras con espumador de leche clásico —

Advertencia

- Para evitar quemaduras, tenga en cuenta que antes de la dispensación pueden salir pequeños chorros de agua caliente.
- No toque el espumador de leche clásico con las manos descubiertas porque podría estar muy caliente. Utilice solo el asa protectora adecuada.

Precaución

- Después de hacer espuma de leche, limpie enseguida el espumador de leche clásico mediante la dispensación de una pequeña cantidad de agua caliente en un recipiente. Después, quite la parte externa del espumador de leche clásico y lávela bajo el grifo con agua tibia.

Cafeteras con espumador de leche automático

Advertencia

- Para evitar quemaduras, tenga en cuenta que antes de la dispensación de vapor o agua caliente pueden salir pequeños chorros de agua caliente. No toque la boquilla dispensadora de agua caliente/vapor con las manos descubiertas porque podría estar muy caliente. Utilice solo el asa protectora adecuada.



- No beba nunca la solución que se dispensa durante el proceso de limpieza mensual del espumador de leche automático.

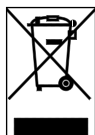
Precaución

- Por motivos de higiene, asegúrese de que la superficie exterior de la boquilla dispensadora de agua caliente/vapor está limpia.
- Después de hacer espuma de leche, limpie enseguida el espumador de leche automático mediante la dispensación de una pequeña cantidad de agua caliente. Siga las instrucciones que se indican en el manual de usuario.
- Tenga cuidado porque la boquilla dispensadora de agua caliente/vapor podría estar caliente si se acaba de usar la cafetera.
- No empuje demasiado el adaptador de goma en la boquilla dispensadora de agua caliente/vapor cuando lo inserte. Si lo hace, puede que el espumador de leche automático no funcione correctamente porque no pueda aspirar leche.

Campos electromagnéticos (CEM)

Este aparato cumple los estándares y las normativas aplicables sobre exposición a campos electromagnéticos.

Reciclaje



- Este símbolo significa que este producto no debe desecharse con la basura normal del hogar (2012/19/UE).
- Siga la normativa de su país para la recogida selectiva de productos eléctricos y electrónicos. El desecho correcto ayuda a evitar consecuencias negativas para el medio ambiente y la salud humana.

Garantía y asistencia

Si necesita asistencia, contacte con su distribuidor local o con un centro de asistencia autorizado. Los datos de contacto se indican en el libro de garantía entregado por separado; también puede visitar www.gaggia.com o www.gaggia.it.



Descripción --- Cosas que debe saber -

VISTA GENERAL DE LA MÁQUINA (FIG.1)

- 1 Botón de café
- 2 Botón de encendido/apagado
- 3 Botón de vapor
- 4 Piloto luminoso de encendido
- 5 Piloto luminoso de temperatura del café
- 6 Piloto luminoso de temperatura del vapor
- 7 Mando de vapor/agua caliente
- 8 Grupo de suministro del café
- 9 Tubo de desagüe
- 10 Rejilla
- 11 Bandeja de goteo
- 12 Tapa del depósito
- 13 Depósito de agua (extraíble)
- 14 Tubo de vapor/agua caliente con cierre de goma de protección
- 15 Filtro "crema perfetta" 1 y 2 tazas
Destinado a ser usado solo con el rompe-chorro espumador (Fig.1-16)
- 16 Rompe-chorro espumador
- 17 Portafiltro
- 18 Filtro tradicional 2 tazas
- 19 Cuchara dosificadora
- 20 Prensador
- 21 Cable y clavija de alimentación
- 22 Boquilla de vapor

1. El sabor del café exprés depende de la cantidad y del tipo de café utilizado.
2. El sabor específico de un grano de café depende de varios factores, pero su sabor y aroma son el resultado del proceso de tueste. Los granos de café tostados durante un período más prolongado y a temperaturas más altas tienen un color más oscuro. Los granos más oscuros liberan más aroma que los granos claros. Encontrará diferentes marcas de café en el mercado. Cada tipo de tueste se caracteriza por una mezcla de granos tostados a una temperatura específica y con un tipo específico de aroma.

Hay descafeinados que contienen solo un 2% de cafeína. Pruebe con su máquina de café exprés uno de los distintos tipos de café a la venta. Probablemente descubrirá un aroma mejor que el de la mezcla utilizada hasta ahora.

3. Las máquinas de café exprés con bomba requieren una mezcla finamente molida. Asegúrese de comprar la mezcla deseada con un grado de molido adecuado para su uso con máquinas de café exprés. Es preferible usar un molinillo de muelas en lugar de un molinillo de cuchilla ya que este libera demasiado polvo de café y produce una mezcla irregularmente molida.
4. Lo ideal sería moler el café justo antes de usarlo. No olvide que su molido debe ser idóneo para máquinas de café exprés con bomba.
5. Aconsejamos guardar el café en un recipiente hermético, en un lugar fresco y seco, lejos de fuentes de calor.
6. El verdadero café exprés se reconoce por su color oscuro, su sabor intenso y su típica "crema natural".
7. El capuchino es una combinación especial de café exprés y leche caliente espumada. Se puede servir con una pizca de canela, nuez moscada o cacao.
8. Sirva inmediatamente el café exprés después de prepararlo.
9. Sirva el café exprés en tazas de café y el capuchino en tazas para el desayuno.



Introducción

Antes de usar la máquina por primera vez, lea cuidadosamente el folleto de seguridad y consérvelo para futuras consultas.

Filtros incluidos

Filtro “crema perfetta” para 1 o 2 tazas (Fig.5)

Este filtro ya está montado en el portafiltro y permite obtener un café exprés con crema incluso durante los primeros usos de la máquina.

Nota. Este filtro solo debe usarse en combinación con el rompe-chorro espumador. (Fig.1-16).

Filtro tradicional 2 tazas (Fig.7) -

Este filtro es como los utilizados en las máquinas profesionales de bar y requiere destreza y experiencia.

Nota. Este filtro no debe ser usado junto con el rompe-chorro espumador. (Fig.1-16).

Nuestro consejo es comenzar con el filtro “crema perfetta” y, una vez que haya adquirido destreza y experiencia, pasar a los tradicionales para preparar café como un verdadero barman

Primera instalación

1. Retirar la tapa del depósito de agua (Fig.2) y llenarlo con agua fría hasta el nivel MAX del depósito (Fig.1-13).
2. Insertar la clavija en la toma de corriente situada en la parte trasera de la máquina (Fig.9) y conectar el extremo opuesto del cable de alimentación a una toma de corriente de pared de tensión adecuada.

Pulsar el botón de encendido/apagado (Fig.1-2), el piloto luminoso de encendido se enciende (Fig.1-4).

Carga del circuito

¡Atención! No activar el botón de café sin haber realizado antes la carga del circuito.

1. Colocar una taza vacía debajo del grupo de café (Fig.1-8) sin insertar el portafiltro y pulsar el botón de café (Fig.1-1).

Se oír el sonido de la bomba que se ha activado y, después de unos segundos, el agua comenzará a descender a través del grupo de café (Fig.1-8).

2. Después de dejar que la taza se llene (aproximadamente 150 cc), pulsar el botón de café nuevamente (Fig.1-1).

Nota. Puede que el sistema de cebado automático de la bomba no funcione temporalmente debido a una “burbuja de aire”.

Si no bajase agua por el grupo de café (Fig.1-8), realizar lo siguiente:

1. Colocar una taza debajo del tubo de vapor (Fig.1-14).
2. Girar el mando (Fig.1-7) en el sentido contrario a las agujas del reloj para abrir la llave de suministro de vapor/agua caliente
3. Pulsar el botón de café (Fig.1-1) para activar la bomba.
4. Después de unos segundos, comenzará a salir agua a través del tubo de vapor.
Dejar que salga aproximadamente una taza de agua.
5. Cerrar el mando de suministro de vapor/agua caliente (Fig.1-7).
6. Pulsar de nuevo el botón de café (Fig.1-1).

Nota. después de cargar el circuito y en cuanto se suministre agua caliente desde la varita de vapor, puede ocurrir que un poco de agua permanezca en su interior. Para eliminarla, se recomienda purgar el tubo dejando que el vapor salga durante unos segundos.



Antes del primer uso o después de un período de inactividad de más de 2 semanas

Nota. El agua suministrada durante este proceso debe ser desechada y no debe ser consumida. Si durante el ciclo el recipiente se llena, detener el suministro y vaciarlo antes de seguir con la operación.

1. Enjuagar el depósito de agua (Fig.2) (consultar el apartado "limpieza del depósito de agua") y llenarlo con agua potable fresca.
2. Colocar un recipiente debajo del tubo de vapor (Fig.1-14).
3. Abrir lentamente el mando de vapor/agua caliente (Fig.1-7) girándolo en el sentido contrario a las agujas del reloj.
4. Pulsar el botón de café (Fig.1-1) y el botón de vapor (Fig.1-3).
5. Suministrar todo el contenido del depósito de agua a través del tubo de vapor.
6. Para terminar el suministro, pulsar de nuevo el botón de café (Fig.1-1) y el botón de vapor (Fig.1-3).
7. Cerrar el mando de la llave (Fig.1-7) girándolo en el sentido de las agujas del reloj.
8. Llenar el depósito con agua potable fresca (Fig.2).
9. Fijar el portafiltro en el grupo de café introduciéndolo desde abajo, alineando la referencia situada en el mango del portafiltro y el símbolo (●) situado en el frontal de la máquina (Fig.3). Girar el portafiltro de izquierda a derecha hasta que se bloquee en la posición (▼) (Fig.4).
10. Colocar un recipiente adecuado debajo del portafiltro.
11. Pulsar el botón de café (Fig.1-1) y suministrar toda el agua presente en el depósito.
12. Una vez terminada el agua, detener el suministro pulsando otra vez el botón de café (Fig.1-1) y vaciar el recipiente.
13. Retirar el portafiltro del grupo girándolo de derecha a izquierda y enjuagarlo con agua fresca potable.
14. La máquina está lista para ser utilizada.

Preparación de un café exprés con café molido -

El portafiltro suministrado lleva de fábrica el filtro "crema perfetta" para la preparación de uno o dos cafés.

¡Atención! Si se utiliza el filtro "crema perfetta" sin el rompe-chorro espumador, la máquina salpicará vistosamente el café, lo que supone un riesgo de quemaduras.

Nota. Si se prefiere usar el filtro tradicional (Fig.7), retirar tanto el filtro "crema perfetta" (Fig.5) como el rompe-chorro espumador (Fig.1-16).

Para suministrar el primer café, es necesario precalentar antes el portafiltro (Fig.1-17):

1. Fijar el portafiltro (Fig.1-17) en el grupo de café (Fig.1-8) introduciéndolo desde abajo, alineando la referencia situada en el mango del portafiltro y el símbolo (●) situado en el frontal de la máquina (Fig.3). Girar el portafiltro de izquierda a derecha hasta que se bloquee en la posición (▼) (Fig.4).
2. Colocar una taza grande debajo del portafiltro (Fig.1-17) y pulsar el botón de café (Fig.1-1)
3. Una vez que la taza se haya llenado de agua (aproximadamente 150 cc), pulsar nuevamente el botón de café y esperar unos minutos a que la máquina alcance la temperatura correcta con el portafiltro insertado.

Nota. Pueden quedar restos de agua dentro del portafiltro que debe eliminarse antes de llenar el filtro con café molido.

Proceder a la preparación del café exprés

4. Quitar el portafiltro (Fig.1-17) y llenarlo con café molido utilizando la cuchara dosificadora suministrada junto con la máquina (Fig.1-20). Considerar una cuchara dosificadora por cada taza de café.

Nota. Se sugiere comprar en una tienda donde se tueste café o en una gran superficie un café con un molido fino adecuado para ser usado con máquinas de café.

5. Prensar utilizando el correspondiente prensador (Fig.1-21). El prensado debe realizarse de manera uniforme para obtener una superficie nivelada y plana.
6. Limpiar los posibles restos de café presentes en el borde del portafiltro (Fig.1-17).
7. Fijar el portafiltro (Fig.1-17) en el grupo de café (Fig.1-8) introduciéndolo desde abajo, alineando la referencia situada en el mango del portafiltro y el símbolo (●) situado en el frontal de la máquina (Fig.3). Girar el portafiltro de izquierda a derecha hasta que se bloquee en la posición (▼) (Fig.4).
8. Esperar a que se encienda el piloto luminoso (Fig.1-5).
9. Pulsar el botón de café (Fig.1-1).
10. Cuando las tazas se hayan llenado hasta los 3/4 de su capacidad, pulsar de nuevo el botón de café (Fig.1-1).

El café será más o menos intenso dependiendo de la cantidad de agua utilizada y si se prepara siguiendo el procedimiento correcto tendrá la típica "crema natural" color avellana/marrón.

Al terminar esta operación, el exceso de agua se eliminará mediante el tubo de descagüe (fig.11).

Para preparar otro café exprés, quitar lentamente y con cuidado el portafiltro moviéndolo hacia la izquierda. Prestar atención a no quemarse con el agua que queda en los posos de café. Después de quitar el portafiltro, continuará goteando un poco de agua. Esto se debe a la presión del agua en el sistema. Retirar los residuos del filtro y los posibles residuos presentes en la ducha (Fig.16).

Nota. Sugerimos mantener el portafiltro limpio montado en la máquina sin apretarlo demasiado, para garantizar siempre una temperatura óptima de todo el grupo de suministro.

Preparación de un capuchino

Para preparar un capuchino tradicional recomendamos:

- usar leche fresca, entera, a temperatura fría, preferiblemente de alta calidad. La densidad de la leche espumada depende del contenido en grasas de la leche;
- usar jarras de leche de acero inoxidable, de forma circular, curvada, con un estrechamiento en la parte superior y dotada de vertedor, necesario para hacer capuchinos decorados.

El tubo de vapor (Fig.1-14) producirá todo el vapor necesario para espumar la leche sin llevarla a ebullición.

Con dos o tres pruebas y un poco de dedicación, uno puede convertirse en un experto en la preparación del capuchino.

Antes de comenzar, es importante desplazar ligeramente hacia el exterior el tubo de vapor para poder introducir la jarra directamente bajo el tubo de vapor y facilitar los movimientos necesarios para el correcto espumado de la leche.

Con todo ello, realizar lo siguiente:

1. Preparar el café exprés en una taza grande de capuchino con arreglo a lo indicado en el apartado "Preparación de un café exprés con café molido".
2. Pulsar el botón de vapor (Fig.1-3).
3. Tras 15-20 segundos, el piloto luminoso de temperatura del vapor (Fig.1-6) se encenderá.
4. Girar ligeramente, en el sentido contrario a las agujas del reloj, el mando de vapor/ agua caliente para eliminar la condensación presente en el tubo y volver a cerrar el mando.
5. Colocar la jarra llena con leche fría hasta la mitad debajo del tubo de vapor.
6. Colocar la boquilla del tubo ligeramente por debajo de la superficie de la leche; si está demasiado sumergida, la leche no se montará, y si está demasiado fuera, se producirán grandes burbujas que se desvanecerán rápidamente.

Es importante mantener la boquilla no en el centro, sino cerca del borde de la jarra, con un ángulo adecuado para producir un remolino consistente (Fig.8-1).

7. Girar el mando de la llave de suministro de vapor (Fig.1-7) en el sentido contrario a las agujas del reloj para que salga el vapor, en esta fase hay una absorción de aire máxima; la leche debe montarse casi en frío.

Nota. La presión del vapor aumenta cuanto más se gire el mando.

Nota. Se recomienda un suministro máximo de 60 segundos.

Un suministro continuo de vapor durante más de 60 segundos puede vaciar por completo la caldera. En ese caso, realizar lo indicado en el apartado "Carga del circuito".

Nota. Para un correcto espumado de la leche, la boquilla de vapor (Fig.1-23) siempre debe estar en contacto con la leche y no con el espumado de leche (Fig.8-2). Así pues, a medida que la capa de espumado aumente, es necesario ir subiendo ligeramente la jarra intentando mantener la boquilla en contacto con la leche, sin tocar el fondo de la jarra (Fig.8-A).

8. Una vez obtenido el espumado deseado, se debe sumergir más a fondo el tubo de vapor para calentar bien la leche.

Nota. Se sugiere mantener siempre una mano en la parte curvada de la jarra para sentir el aumento de la temperatura de la parte de la leche no espumada.

9. Una vez obtenido el resultado deseado, cerrar el mando de vapor en el sentido de las agujas del reloj para detener el suministro de vapor y retirar la jarra.

Nota. Tras terminar de montar la leche, para compactar el espumado se aconseja golpear ligeramente la jarra sobre una superficie y dejar reposar durante al menos 30 segundos. De este modo, la leche se vuelve más homogénea.

¡Atención! Es importante montar solo la leche necesaria. La leche caliente que quede en la jarra no debe reutilizarse; dañaría la calidad del espumado y, sobre todo, el sabor del capuchino. Así pues, es mejor destinarla a otros usos.

10. Pulsar el botón de vapor (Fig.1-3).

Verter la leche espumada en el café. Adornar al gusto con canela, cacao o nuez moscada.

Para preparar otro café inmediatamente después, es necesario bajar la temperatura de la caldera suministrando agua caliente por el grupo de suministro de café (Fig.1-8). Seguir las instrucciones indicadas en el apartado "Cómo bajar la temperatura"; de lo contrario, el café podría saber a quemado.

¡Atención! El tubo de vapor, durante y después del uso, podría tener una temperatura elevada. Para evitar quemaduras, moverlo colocando los dedos únicamente sobre el cierre de goma de protección montado en el tubo de vapor.

¡Atención! ¡Si se suministra café sin haber bajado la temperatura mediante el suministro de agua existe riesgo de quemaduras!

Suministro de agua caliente

1. Encender la máquina y esperar unos minutos hasta que se encienda el piloto luminoso de temperatura correcta del café (Fig.1-5).
2. Colocar una taza debajo del tubo profesional.
3. Girar lentamente el mando de vapor (Fig.1-7) en el sentido contrario a las agujas del reloj y pulsar el botón de café (Fig.1-1) y el botón de vapor (Fig.1-3) al mismo tiempo para permitir el suministro de agua caliente.
4. Una vez obtenida la cantidad deseada de agua caliente, detener el suministro pulsando de nuevo el botón de café (Fig.1-1) y el botón de vapor (Fig.1-3) simultáneamente y girar el mando de vapor en el sentido de las agujas del reloj.

Nota. después de cargar el circuito y en cuanto se suministre agua caliente desde la varita de vapor, puede ocurrir que un poco de agua permanezca en su interior. Para eliminarla, se recomienda purgar el tubo dejando que el vapor salga durante unos segundos.

Para preparar otro café inmediatamente después, es necesario bajar la temperatura de la caldera suministrando agua caliente por el grupo de suministro de café (Fig.1-8). Seguir las instrucciones indicadas en el apartado "Cómo bajar la temperatura de la caldera"; de lo contrario, el café podría saber a quemado.

Nota. Se recomienda un suministro máximo de 60 segundos.

¡Atención! El tubo de vapor, durante y después del uso, podría tener una temperatura elevada. Para evitar quemaduras, moverlo colocando los dedos únicamente sobre el cierre de goma de protección montado en el tubo de vapor.

Cómo bajar la temperatura de la caldera

1. No insertar el portafiltro.
2. Colocar una taza vacía sobre la rejilla.
3. Pulsar el botón de café (Fig.1-1) y llenar la taza con agua.
4. Pulsar de nuevo el botón de café (Fig.1-1).

La máquina ya está lista para suministrar otro café.

Limpeza y mantenimiento

Una limpieza y un mantenimiento regulares mantienen la máquina en óptimas condiciones y garantizan un café con un exquisito sabor durante un largo período de tiempo, un flujo constante de café y una excelente crema de leche.

Limpeza del tubo de vapor

Tras cada espumado de leche:

1. Limpiar el tubo de vapor con un paño húmedo. Para una limpieza más profunda, desenroscar la boquilla (Fig.13) y lavarla con agua corriente.
2. Abrir el mando de vapor dejando salir vapor durante uno o dos segundos para liberar el orificio de la boquilla (Fig.1-23).

Limpeza del portafiltro y de los filtros

Los filtros deben mantenerse limpios para garantizar un resultado perfecto.

¡Atención! El filtro solo debe sustituirse cuando el cuerpo portafiltro se haya enfriado por completo para evitar quemaduras.

Quitar diariamente el filtro del portafiltro con arreglo a lo descrito en la (Fig.14) y lavar con agua tibia.

Si se nota un mal funcionamiento durante el suministro de café, sumergir los filtros en agua hirviendo durante 10 minutos y luego enjuagarlos con agua corriente.

Para una mejor limpieza de los filtros, se aconseja comprar las pastillas de limpieza GAGGIA, específicamente estudiadas para mantener la máquina en perfectas condiciones.



Limpieza de la rejilla y de la bandeja de goteo

Extraer la bandeja de goteo y la rejilla (Fig.1-10, 11) y lavarlas con agua. No usar abrasivos.

Limpieza del depósito de agua

Atencion! El depósito se debe limpiar solo cuando la máquina está apagada para evitar quemaduras. Durante el uso, el tubo de desagüe (Fig.11) podría alcanzar altas temperaturas.

Extraer el depósito de agua (Fig.1-13) y lavarlo con agua corriente.

Para extraer el depósito de agua, retirar primero la bandeja de goteo (Fig.1-11), y luego extraer el tubo de desagüe (Fig.11) tirando de él hacia abajo.

Nota. Al volver a colocar el depósito, asegurarse de que los tubos de silicona están dentro del depósito y que no están retorcidos ni plegados (Fig.12).

Limpieza de la ducha

Eliminar regularmente los restos de posos de café que puedan haber quedado en la ducha (Fig.16) con un cepillo y realizar una limpieza con agua caliente siguiendo las instrucciones descritas en el apartado "Cómo bajar la temperatura".

Limpieza tras un período sin utilizar la máquina

Cuando la máquina no se haya utilizado durante un período prolongado (más de dos semanas), seguir las instrucciones que figuran en el apartado "Antes del primer uso o después de un período de inactividad de más de 2 semanas".

Descalcificación

La formación de cal es una consecuencia natural del uso del aparato. Usar exclusivamente el producto descalcificante GAGGIA, formulado específicamente para mantener al máximo el rendimiento y la funcionalidad de la máquina durante toda su vida operativa, así como para evitar, siempre que se utilice correctamente, cualquier alteración de los productos suministrados. No utilizar en ningún caso vinagre u otros productos antical.



La descalcificación debe efectuarse cada 2 meses de uso de la máquina.

¡Atención! No beber la solución descalcificante ni los productos suministrados hasta que el ciclo se haya completado.

1. Retirar el portafiltro del grupo girándolo de derecha a izquierda.
2. Retirar y vaciar el depósito de agua (consultar el capítulo "Limpieza del depósito de agua").
3. Verter la MITAD del contenido de la botella de descalcificante GAGGIA en el depósito de agua y rellenarlo con agua potable fresca hasta el nivel MAX.
4. Encender la máquina pulsando el botón de encendido (Fig. 1-2)

Suministrar 2 tazas de agua (aproximadamente 150 ml cada una) (ver capítulo «suministro de agua caliente») de la varita de vapor y, luego, otras dos tazas de agua (aproximadamente 150 ml cada una) del grupo de café, pulsando el botón de café (Fig. 1-1).

Apagar la máquina pulsando el botón de encendido (Fig. 1-2).

5. Dejar que el descalcificante actúe durante unos 20 minutos con la máquina apagada.
6. Encender la máquina pulsando el botón de encendido (Fig. 1-2).

Suministrar 2 tazas de agua (aproximadamente 150 ml cada una) de la varita de vapor y, luego, otras dos tazas de agua (aproximadamente 150 ml cada una) del grupo de café.



Apagar la máquina pulsando el botón de encendido (Fig. 1-2) y dejarla apagada durante 3 minutos.

7. Repetir el suministro de agua según lo descrito en el punto 6 hasta que el depósito de agua quede completamente vacío.
8. Enjuagar el depósito y llenarlo con agua potable fresca. Vaciar la bandeja de goteo.
9. Colocar un recipiente debajo del tubo de vapor. Abrir lentamente el mando de vapor/ agua caliente (Fig.1-7) girándolo en el sentido contrario a las agujas del reloj.

Pulsar el botón de café (Fig.1-1) y el botón de vapor (Fig.1-3).

10. Suministrar todo el contenido del depósito de agua a través del tubo de vapor. Para finalizar el suministro volver a pulsar el botón de café (Fig.1-1) y el botón de vapor (Fig.1-3) y luego cerrar el mando de la llave girándolo en el sentido de las agujas del reloj.
11. Llenar el depósito con agua potable fresca. Fijar el portafiltro (Fig.1-17) en el grupo de café (Fig.1-8) introduciéndolo desde abajo, alineando la referencia situada en el mango del portafiltro y el símbolo (●) situado en el frontal de la máquina (Fig.3). Girar el portafiltro de izquierda a derecha hasta que se bloquee en la posición (▼) (Fig.4).
12. Colocar un recipiente adecuado debajo del portafiltro.
13. Pulsar el botón de café (Fig. 1-1) y suministrar toda el agua presente en el depósito. Una vez terminada el agua, detener el suministro pulsando de nuevo el botón de café (Fig. 1-1) Al finalizar, vacíe el contenedor.
14. Retirar el portafiltro del grupo girándolo de derecha a izquierda y enjuagarlo con agua fresca potable.
15. Repetir una vez más las operaciones desde el punto 8 hasta un total de 4 depósitos. Después, la máquina está lista para su uso.
16. El ciclo de descalcificación ha concluido.
17. Volver a llenar el depósito con agua fresca. Si fuera necesario, efectuar la carga del circuito tal como se describe en el capítulo "Carga del circuito".



En caso de mal funcionamiento

Problema:	Comprobar:
La máquina no suministra café.	Que hay agua en el depósito. Que el filtro no está obstruido debido a que la mezcla es demasiado fina o a que se ha prensado demasiado el café. Que la ducha está limpia.
El suministro del café es demasiado rápido (menos de 20 segundos).	Que no se haya molido demasiado grueso el café. Que el café se ha prensado con el prensador.
La bomba hace demasiado ruido.	Que hay agua en el depósito. Que la bomba está activada (ver carga del circuito). Que la cantidad de café es suficiente.
Pérdida excesiva de agua por el portafiltro.	Que el portafiltro se ha insertado correctamente (Fig.1-17). Que la junta no está sucia (Fig.16). Que no hay restos de café en el borde del portafiltro.
El café exprés tiene poca "crema".	Que no se haya molido demasiado grueso el café. Que el café se ha prensado con el prensador. Que el café no es demasiado viejo ni está demasiado seco. Que se ha utilizado el filtro tradicional con el rompe-chorro espumador (Fig.1-16).
El café está demasiado frío.	Que la máquina se ha calentado. Que no se haya molido demasiado grueso el café. Si el café se ha suministrado en tazas frías. Se aconseja suministrar el café siempre en tazas calientes. Si no se ha efectuado el precalentamiento del portafiltro (solo para el primer café).
La leche no se espuma lo suficiente.	Que la boquilla de vapor no está obstruida. Que no se haya sumergido demasiado la boquilla de vapor en la jarra. Que la leche no esté demasiado caliente.
La máquina salpica café por el portafiltro.	Que se ha montado el rompe-chorro espumador con el filtro "crema perfetta".
La carcasa de la máquina y el tubo de desagüe están muy calientes.	Que el botón de vapor esté apagado.







- Rev.00 - 04/11/22



421946510461

COD.

GAGGIA S.p.A.

Sede Amministrativa/Administrative Office
Via Torretta, 240
40041 Gaggio Montano - Bologna - Italia
+39 0534 771111

www.gaggia.it

www.gaggia.com

GAGGIA
MILANO

